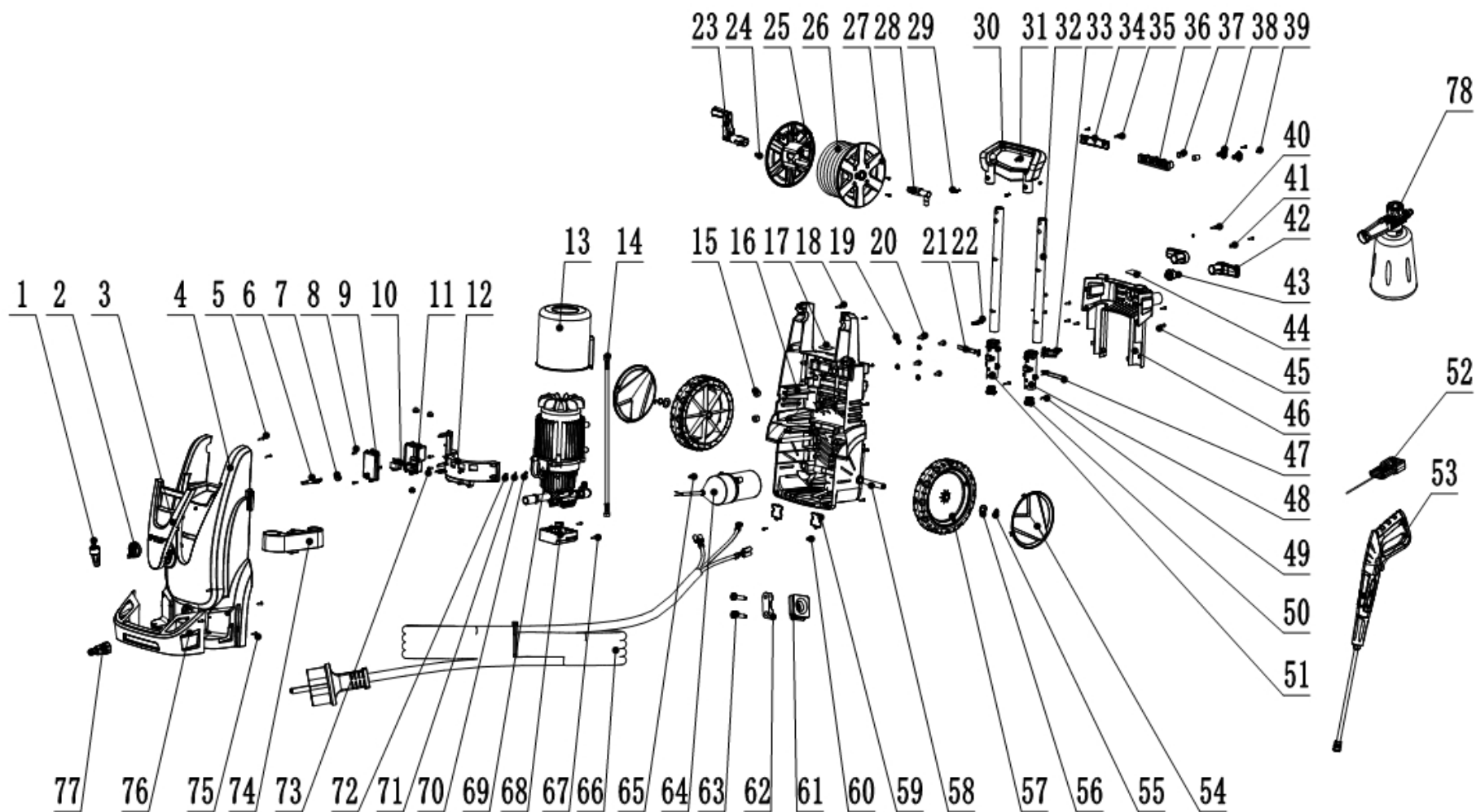


No	Part Name	QTY
1	KIT, WATER OUTLET JOINT ASS.	1
2	SPRING 0.6X10.5X4.5X12	1
3	O-RING, Φ 22X2.4MM	1
4	PRESSURE LIMITED VALVE	1
5	PISTON ASS.	1
6	PUMP HEAD	1
7	SCREW M8X30+M8X20	2+2
8	O-RING, Φ 18X2.4 MM	1
9	WATER INLET JOINT	1
10	FILTER	1
11	CONNECTING NUT ASS.	1
12	MICROSWITCH SHELL RIGHT	1
13	SLIDER	1
14	MICROSWITCH	1
15	MICROSWITCH SHELL LEFT	1
16	SCREW	5
17	SCREW M8X25	1
18	PUMP BODY	1
19	SCREW INTERNAL HEXAGONAL	1
20	BEARING , 51207	1

No	Part Name	QTY
21	BEARING HOUSING , AL ALLOY	1
22	O-RING Φ 90X2.65MM	1
23	O-RING Φ 13X1.9MM	6
24	INLET&OUTLET VALVE	6
25	O-RING Φ 16X1.9MM	6
26	VALVE CAP	6
27	V-RING Φ 14X20X5 MM	3
28	O-RING Φ 18X1.9MM	3
29	INTERSPACE RINGER	3
30	O-RING Φ 24X1.9MM	3
31	REINFORCED SEAL Φ 14X22X5 MM	3
32	PLUNGER SPRING	3
33	PLUNGER Φ 14	3
34	PLUNGER CLIP	3
35	BEARING	1
36	OIL SEAL Φ 20x30x9	1
37	INDUCTION MOTOR WITH FLANGE	1
38	FAN	1



No	Part Name	QTY
1	TURBO NOZZLE	1
2	KNOB ASS.	1
3	LOGO PLATE	1
4	FRONT COVER	1
5	SCREW ST4X16	3
6	NAGER	1
7	CABLE SEAL	4
8	SCREW ST4X16	2
9	COVER FOR JUNCTION BOX	1
10	MAIN SWITCH	1
11	JUNCTION BOX	1
12	PRESS PLATE OF MOTOR	1
13	MOTOR HOOD	1
14	INSIDE HOSE	1
15	VIBRATION DAMPING OF MOTOR	4
16	BOTTOM COVER	1
17	WARNING LABEL	1
18	SCREW ST4.8X16	10
19	SERRATED GASKET \varnothing 8	4
20	SCREW M8X30	4
21	RIGHT LOCK BLOCK	1
22	RETRACTABLE HANDLE'S SPRING	1
23	HOSE REEL HANDLE ASS.	1
24	SCREW ST4.8X16	4

No	Part Name	QTY
40	SCREW ST4.8X16	2
41	FLAP GASKET D6	2
42	CABLE HOOK	2
43	RETRACTABLE HANDLE'S BUTTON	1
44	RATING LABEL	1
45	SCREW ST4.8X16	6
46	REAR PLATE	1
47	LEFT LOCK BLOCK	1
48	GUIDE RAIL FOR LEFT LOCK BLOCK	1
49	SCREW ST4.8X16	1
50	END CAP FOR RETRACTABLE ROD	2
51	GUIDE RAIL FOR RIGHT LOCK BLOCK	1
52	CLEANING PIN	1
53	SPRAY GUN AG1275	1
54	WHEEL COVER	2
55	ELASTIC COLLAR 14	2
56	FLAP GASKET \varnothing 16	2
57	WHEELS	2
58	WHEEL AXLE	1
59	DASH PLATE	2
60	SCREW ST4X16	2
61	OUTLET SHEATH	1
62	OUTLET PLATE	1
63	SCREW ST4X16	2

25	LEFT HOSE REEL	1
26	10M PRESSURE HOSE	1
27	RIGHT HOSE REEL	1
28	TEE COMPONENT	1
29	SCREW M5X40	2
30	HANDLE	1
31	CAP NUT M5	2
32	RETRACTABLE HANDLE	2
33	GUIDE RAIL FOR LOCK BLOCK	1
34	HANDLE CAP	1
35	SCREW ST4.8X16	6
36	NOZZLE MOUTING BRACKET	1
37	NOZZLE FIXING SLEEVE	4
38	QUICK NOZZLE WHITE GREEN	4
39	SCREW ST4.8X16	2

64	CAPACITOR	1
65	SCREW ST4X16	1
66	7M POWER CABLE	1
67	SCREW ST4.8X16	2
68	PUMP FIXXING SEAT	1
69	MOTOR PUMP ASS.	1
70	SERRATED GASKET \varnothing 4	1
71	SPRING WASHER	1
72	SCREW M4X8	1
73	SCREW ST4.8X16	4
74	GUN HOLDER	1
75	SCREW ST4.8X16	4
76	FRONT DECORATION PLATE	1
77	TRANSPARANT MALE CONNECTOR	1
78	FOAM PRODUCER 03	1