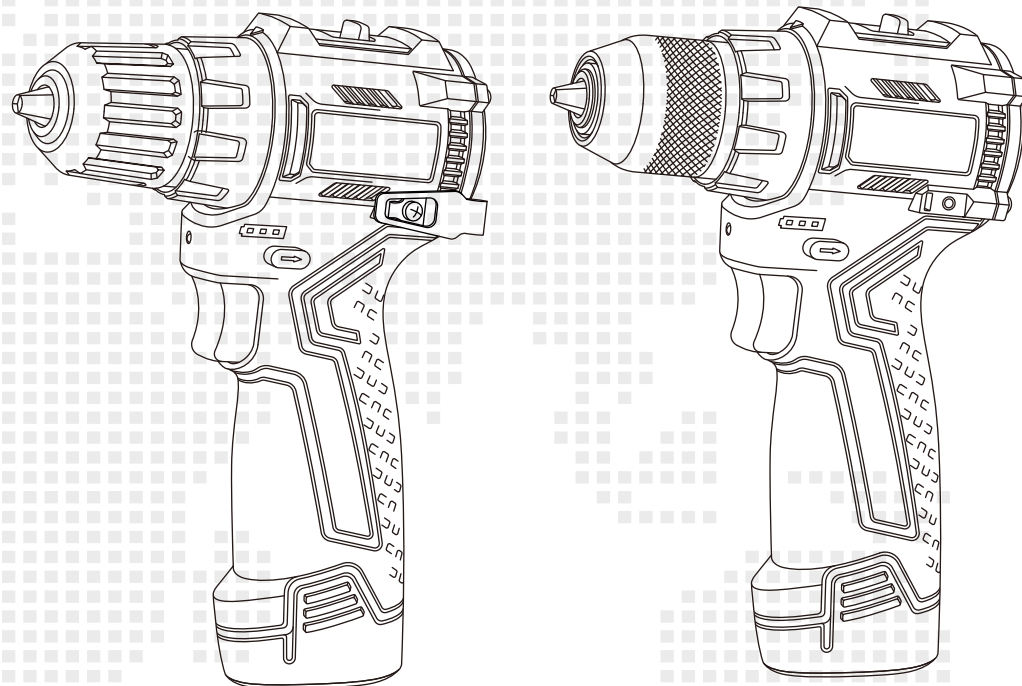




Manual_Cordless drill_06.2024_CIA-5-STD_v.3.0

CROWN
TOOLS FOR A BETTER LIFE

■ CT21129HX
■ CT21129HMX



Merit Link International AG
P.O. Box 641, CH-6855 Stabio
Switzerland
www.meritlink.com



- en** Original instructions
- ru** Оригинальное руководство по эксплуатации
- ka** ექსპლუატაციის ორიგინალი სახელმძღვანელო
- ua** Оригінальна інструкція з експлуатації
- kz** Пайдалану нұсқаулығының түпнұсқасы

I. General safety instructions



WARNING – To reduce the risk of injury, user must read instruction manual!

General Power Tool Safety Warnings



WARNING! Read all safety warnings and all instructions.

Failure to follow the warnings and instructions may result in electric shock, fire and/or serious injury.

Save all warnings and instructions for future reference.

The term "power tool" in the warnings refers to your mains-operated (corded) power tool or battery-operated (cordless) power tool.

1) Work area safety

- a) **Keep work area clean and well lit.** Cluttered or dark areas invite accidents.
- b) **Do not operate power tools in explosive atmospheres, such as in the presence of flammable liquids, gases or dust.** Power tools create sparks which may ignite the dust or fumes.
- c) **Keep children and bystanders away while operating a power tool.** Distractions can cause you to lose control.

2) Electrical safety

- a) **Power tool plugs must match the outlet. Never modify the plug in any way. Do not use any adapter plugs with earthed (grounded) power tools.** Unmodified plugs and matching outlets will reduce risk of electric shock.
- b) **Avoid body contact with earthed or grounded surfaces, such as pipes, radiators, ranges and refrigerators.** There is an increased risk of electric shock if your body is earthed or grounded.
- c) **Do not expose power tools to rain or wet conditions.** Water entering a power tool will increase the risk of electric shock.
- d) **Do not abuse the cord. Never use the cord for carrying, pulling or unplugging the power tool. Keep cord away from heat, oil, sharp edges or moving parts.** Damaged or entangled cords increase the risk of electric shock.
- e) **When operating a power tool outdoors, use an extension cord suitable for outdoor use.** Use of a cord suitable for outdoor use reduces the risk of electric shock.
- f) **If operating a power tool in a damp location is unavoidable, use a residual current device (RCD) protected supply.** Use of an RCD reduces the risk of electric shock.

3) Personal safety

- a) **Stay alert, watch what you are doing and use common sense when operating a power tool. Do not use a power tool while you are tired or under the influence of drugs, alcohol or medication.** A moment of inattention while operating power tools may result in serious personal injury.
- b) **Use personal protective equipment. Always wear eye protection.** Protective equipment such as dust mask, non-skid safety shoes, hard hat, or hearing protection used for appropriate conditions will reduce personal injuries.
- c) **Prevent unintentional starting. Ensure the switch is in the off-position before connecting to power source and/or battery pack, picking up or carrying the tool.** Carrying power tools with your finger on the switch or energising power tools that have the switch on invites accidents.

d) Remove any adjusting key or wrench before turning the power tool on. A wrench or a key left attached to a rotating part of the power tool may result in personal injury.

e) Do not overreach. Keep proper footing and balance at all times. This enables better control of the power tool in unexpected situations.

f) Dress properly. Do not wear loose clothing or jewelry. Keep your hair, clothing and gloves away from moving parts.

Loose clothes, jewelry or long hair can be caught in moving parts.

g) If devices are provided for the connection of dust extraction and collection facilities, ensure these are connected and properly used. Use of dust collection can reduce dust-related hazards.

4) Power tool use and care

a) Do not force the power tool. Use the correct power tool for your application. The correct power tool will do the job better and safer at the rate for which it was designed.

b) Do not use the power tool if the switch does not turn it on and off. Any power tool that cannot be controlled with the switch is dangerous and must be repaired.

c) Disconnect the plug from the power source and/or the battery pack from the power tool before making any adjustments, changing accessories, or storing power tools. Such preventive safety measures reduce the risk of starting the power tool accidentally.

d) Store idle power tools out of the reach of children and do not allow persons unfamiliar with the power tool or these instructions to operate the power tool. Power tools are dangerous in the hands of untrained users.

e) Maintain power tools. Check for misalignment or binding of moving parts, breakage of parts and any other condition that may affect the power tool's operation.

If damaged, have the power tool repaired before use. Many accidents are caused by poorly maintained power tools.

f) Keep cutting tools sharp and clean. Properly maintained cutting tools with sharp cutting edges are less likely to bind and are easier to control.

g) Use the power tool, accessories and tool bits etc. in accordance with these instructions, taking into account the working conditions and the work to be performed. Use of the power tool for operations different from those intended could result in a hazardous situation.

5) Battery tool use and care

a) Recharge only with the charger specified by the manufacturer. A charger that is suitable for one type of battery pack may create a risk of fire when used with another battery pack.

b) Use power tools only with specifically designated battery packs. Use of any other battery packs may create a risk of injury and fire.

c) When battery pack is not in use, keep it away from other metal objects, like paper clips, coins, keys, nails, screws or other small metal objects, that can make a connection from one terminal to another. Shorting the battery terminals together may cause burns or a fire.

d) Under abusive conditions, liquid may be ejected from the battery; avoid contact. If contact accidentally occurs, flush with water. If liquid contacts eyes,

additionally seek medical help. Liquid ejected from the battery may cause irritation or burns.

6) Service

a) **Have your power tool serviced by a qualified repair person using only identical replacement parts.** This will ensure that the safety of the power tool is maintained.

II. Special Safety Warnings for Cordless drill

Specific Safety Warnings for Cordless drill

➤ **Hold power tool by insulated gripping surfaces, when performing an operation where the cutting accessory may contact hidden wiring or its own cord.** *Cutting accessory contacting a "live" wire may make exposed metal parts of the power tool "live" and could give the operator an electric shock.*

➤ **Use suitable detectors to determine if utility lines are hidden in the work area or call the local utility company for assistance.** Contact with electric lines can lead to fire and electric shock. Damaging a gas line can lead to explosion. Penetrating a water line causes property damage.

➤ **Switch off the power tool immediately when the tool inserting jams. Be prepared for high reaction torque that can cause kickback.** The tool inserting jams when:

-the power too is subject to overload or

-it becomes wedged in the workplace

➤ **Hold the power tool only by the insulated gripping surfaces, when performing an operation where the cutting tool may run into hidden wiring.** Contact with a "live" wire will make exposed metal parts of the tool "live" and shock the operator.

➤ **Hold the power tool with a firm grip.** High reaction torque can briefly occur while driving in and loosening screws.

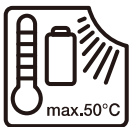
➤ **Secure the workplace.** A workplace clamped with clamping devices or in a voice is held more secure than by hand.

➤ **Keep your workplace clean. Blends of materials are particularly dangerous. Dust from light alloys can burn or explode.**

➤ **Always wait until the power tool has come to a complete stop before placing it down.** The tool insert can jam and lead to loss of control over the power tool.

➤ **Avoid unintentional switching on .Ensure the On/Off switch is in the off position before inserting battery pack.** Carrying the power tool with your finger on the On/Off switch or inserting the battery pack into power tools that have the switch in accidents.

➤ **Do not open the battery.** Danger of circuit



Protect the battery against heat, e. g., also against continuous sun irradiation and fire. There is danger of explosion.

➤ **In case of damage and improper use of the battery, vapors may be emitted. Provide for fresh air and seek medical help in case of complaints.** The vapors can irritate the respiratory system.

➤ **When the battery is defective, liquid can escape and come into contact with adjacent components. Check any parts concerned.** Clean such parts or replace them, if required.

Battery Charger

- **Protect the battery charger from rain and moisture.** The penetration of water in a battery charger increases the risk of electric shock.
 - **Do not charge other batteries.** The battery charger is suitable only for charging lithium ion batteries within the listed voltage range. Otherwise there is danger of fire and explosion.
 - **Keep the battery charger clean.** Contamination may cause the danger of electric shock.
 - **Check the battery charger, cable and plug each time before using. Do not use the battery charger when defects are detected. Do not open the battery charger yourself and have it repaired only by qualified personnel using original spare parts.** Damaged battery chargers, cables and plugs increase the risk of electric shock.
- Do not operate the battery charger on easily inflammable surfaces (e.g. , paper , textiles , etc .) or in combustible environments .** There is danger of fire due to the heating of the battery charger during charging.



WARNING! In order to reduce electric shock, ignition or severe personal injury, read and understand this operating instruction manual. Wear goggles. Do not remove, grind or heat it to 100°C or incinerate it. Only used with specialized charger. Do not make the line short out or throw it in the fire. Indoor temperature is preferred to be 5-40°C when charging. Beware of explosion or burning. Place the battery where the child cannot reach. Do not take battery pack as hammer, and accidental short-circuit or explosion may be caused by knocking the battery.



Read all safety warnings and all instructions. Failure to follow the warnings and instructions may result in electric shock, fire and / or serious injury.

Intended Use

The tool is intended for driving in and loosening screws as well as for drilling in wood, metal, ceramic and plastic.

The declared vibration total value has been measured in accordance with a standard test method and may be used for comparing one tool with another.

The declared vibration total value may also be used in a preliminary assessment of exposure.

Warning

The vibration emission during actual use of the power tool can differ from the declared total value depending on the ways in which the tool is used.

There is the need to identify safety measures to protect the operator that are based on an estimation of exposure in the actual conditions of use (taking account of all parts of the operating cycle such as the times when the tool is switched off and when it is running idle in addition to the trigger time).

(Check relevant information about noise and vibration)

Noise (tested according to EN 60745-1 and EN 60745-2-1):

$L_{pA}=69\text{dB(A)}$; $L_{wA}=80\text{ dB(A)}$, $K=3\text{dB(A)}$

Vibration (tested according to EN 6045-1 and EN 60745-2-1): $a_h= 1.069\text{m/s}^2$

$K=1.5\text{m/s}^2$

Symbols

The rating plate on your tool may show symbols. These represent important information about the product or instructions on its use.



Read the instruction manual



Double insulated for additional protection(Charger)



Wear hearing protection while operating the power tool.



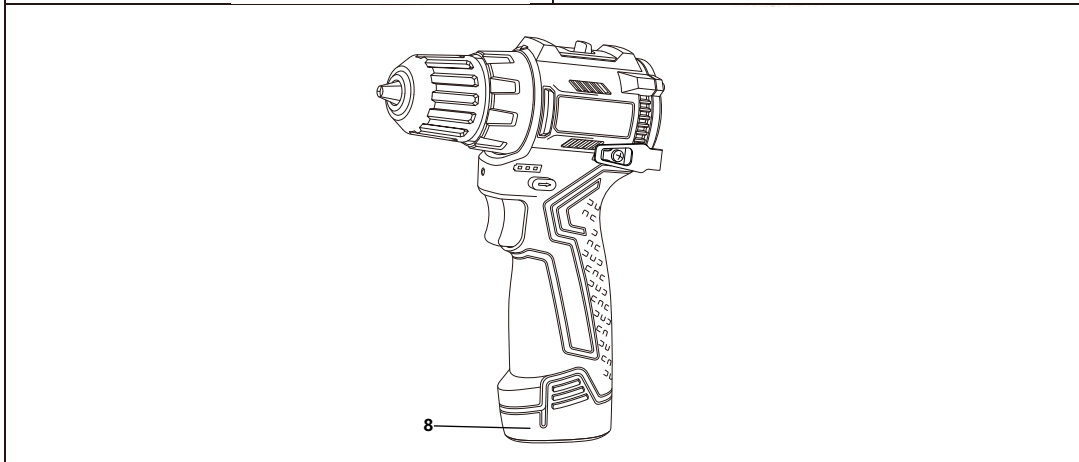
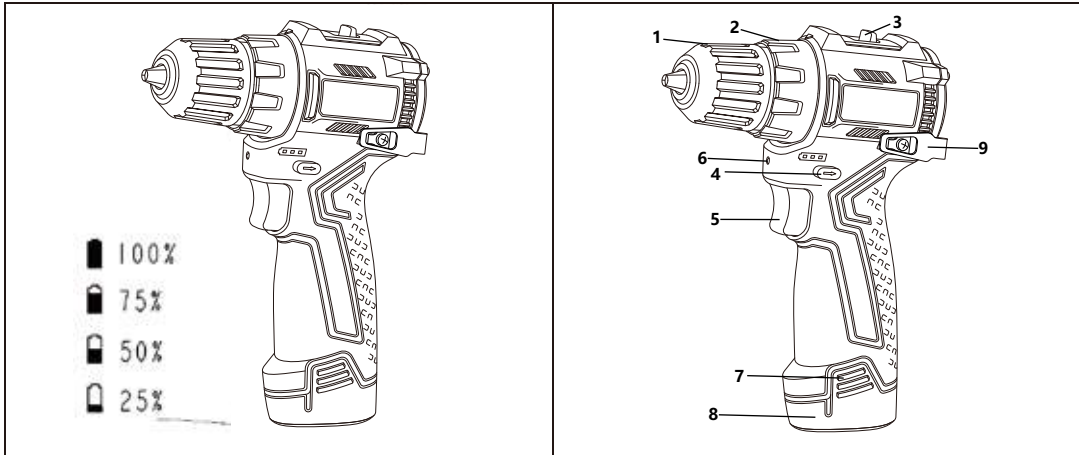
Wear eye protection.



Waste electrical products should not be disposed of with household waste. Please recycle where facilities exist. Check with your Local Authority or retailer for recycling advice

III. Product introduction/description and technical parameters

Product Features





1. keyless chuck	2. Torque presetting ring	3. Speed trigger
4. F/R lever	5. ON / off switch	6. LED
7. Battery release button	8. Battery	9. Belt buckle

The numbering of the product features refers to the illustration of the power tool on the graphics page.

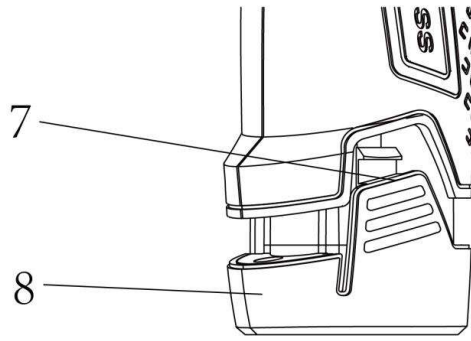
***The accessories illustrated or described are not included as standard delivery.**

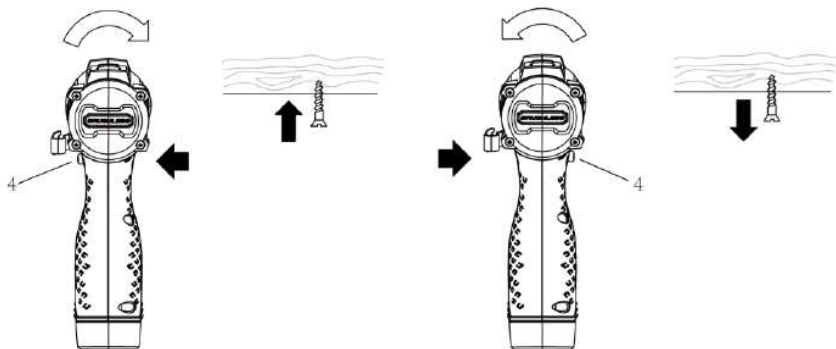
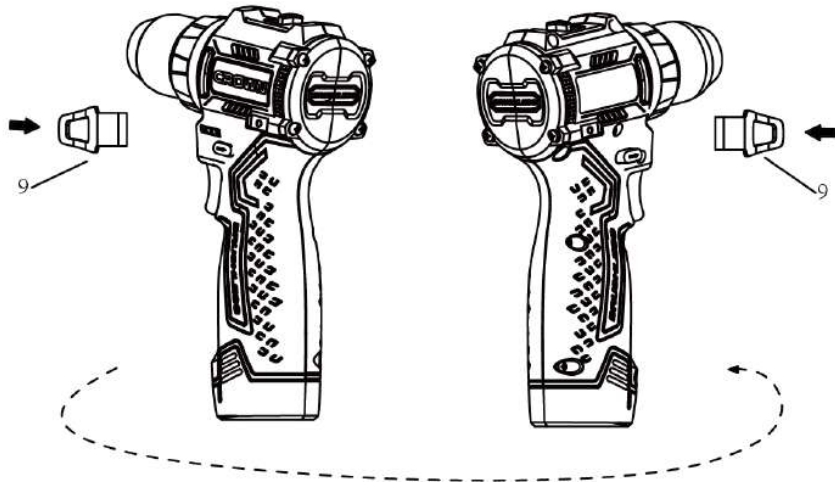
Technical Data

Product model number		CT21129HX	CT21129HMX
Rated voltage	V 	12	
No-load speed			
-1st gear	r/min	0-420	
-2nd gear	r/min	0-1800	
impact frequency			
Max. torque for hard/soft screw driving application according to ISO 5393	Nm	45/23	
Max. drilling dia.			
-Steel	mm	10	
-Wood	mm	36	
Max. screw dia	mm	8	
Chuck clamping range	mm	0.8-10	
Drill spindle thread		3/8"	
Supporting the battery pack		027018 / 027083	
Battery		Li-ion	
Capacity	Ah	2	
Charging time	H	1/2	
The temperature range can be charged	°C	5-40	
Weight	kg	0.88	0.91
Matching charger		027512	/ 027590
The input voltage of the charger		220-240V~ 50/60Hz	/ 110-240V~ 50/60Hz
The output voltage	V	10.8-12	
The charging current	A	1/2	
Safety class		 II	

Assembly

--






Battery charging (see figure A)

➤ Use only the battery chargers listed on the accessories page. Only these battery chargers are matched to the lithium ion battery of your power tool.

Note: The battery is supplied partially charged. To ensure full capacity of the battery, completely charge the battery in the battery charger before using your power tool for the first time.

The lithium ion battery can be charged at any time without reducing its service life. Interrupting the charging procedure does not damage the battery.

The lithium ion battery is protected against deep discharging by the “Electronic Cell Protection (ECP)”. When the battery is empty, the machine is switched off by means of a protective circuit: The inserted tool no longer rotates.

 **WARNING** Do not continue to press the On/Off switch after the machine has been automatically switched off. The battery can be damaged. Remove the battery 8, press the unlocking buttons 7 and pull out the battery downwards. Do not exert any force.

The battery is equipped with an NTC temperature control which allows charging only within a temperature range of between 5°C and 40°C. A long battery service life is achieved in this manner.

Observe the notes for disposal.

Changing the Tool (see figure B)

Before any work on the power tool (e.g., maintenance, tool change, etc.) as well as during transport and storage, set the rotational direction switch to the center position. Unintentional actuation of the On/Off switch can lead to injuries.

If the ON/Off switch 7 is not pressed, the drill spindle is in an unlocked state, when you replace the tool you should hold ① the chuck ring by one hand and ② chuck cover by another hand, then turn ② chuck cover in rotation direction as the arrow under the chuck in the figure B until the tool can be inserted finely.

If you turn the ② chuck cover in rotation direction as the arrow under the chuck in the figure B claws in chuck 1 will be closed

Replacing the Drill Chuck

➤ **Before any work on the power tool (e.g., maintenance, tool change, etc.) as well as during transport and storage, set the rotational direction switch to the center position.** Unintentional actuation of the On/Off switch can lead to injuries.

Removing the Securing Screw (see figure C)

The keyless chuck 1 is secured with a securing screw 13 against unintentional loosening from the drill spindle. Completely open the keyless chuck 1 and unscrew the securing screw 13 in rotation direction ①. **Please note that the securing screw has a left-hand thread.**

Removing the Drill Chuck (see figure D)

Clamp the short end of a hex key 14 into the keyless chuck 1.

Place the machine on a stable surface (e.g. a workbench). Hold the machine firmly and loosen the keyless chuck 1 by turning the hex key 14 in rotation direction

①. Loosen a tight-seated keyless chuck by giving the long end of the hex key 14 a light blow. Remove the hex key from the keyless chuck and completely unscrew the keyless chuck.

Mounting the Drill chuck (see figure)

The keyless chuck is mounted in reverse order.

 **The drill chuck must be tightened with a tightening torque of approx. 20Nm.**

Screw the securing screw 13 in counter clock wise direction into the opened keyless chuck;

Tightening torque approx. 4-5Nm. Always use a new securing screw, as the threads are covered with a thread-locking compound that loses its effect after multiple usage.

Removing Belt buckle

Push the suitable cross screwdriver, screw out the belt buckle fixing screw, pull out the belt buckle 9. The belt buckle can be pushed from left or right of the machine.

Dust/chip Extraction

➤ Dusts from materials such as lead-containing coatings, some wood types, minerals and metal can be harmful to one's health. Touching or breathing-in the dusts can cause allergic reactions and/or lead to respiratory infections of the user or bystanders. Certain dusts, such as oak or beech dust, are considered as carcinogenic, especially

in connection with wood-treatment additives (chromate, wood preservative). Materials containing asbestos may only be worked by specialists.

-Provide for good ventilation of the working place.

-It is recommended to wear a P2 filter –class respirator.

Observe the relevant regulations in your country for the materials to be worked.

Operation

Starting Operation

Inserting the Battery

➤ **Use only original this brand Lithium ion batteries with the voltage listed on the nameplate of your power tool.** Using other batteries can lead to injuries and pose a fire hazard

Note: Use of batteries not suitable for the machine can lead to malfunctions of or cause damage to the power tool.

Set the rotational direction switch 4 to the center position in order to avoid unintentional starting. Insert the charged battery 8 into the handle so that it can be felt to engage and faces flush against the handle.

Reversing the Rotational Direction


(See figure F)

The rotational direction switch 4 is used to reverse the rotational direction of the machine. However, this is not possible with the On/Off switch 5 actuated.

Right Rotation: For drilling and driving in screws, push the rotational direction switch 4 left to the stop.

Left Rotation: For loosening and unscrewing screws and nuts, press the rotational direction switch 4 through to the right stop.

Setting the Torque

With the torque presetting ring 2 the required torque setting can be preselected in 21+1 steps with the correct setting, the insert tool is stopped as soon as the screws is screwed flush into the material or when the adjusted torque is reached. The safety clutch is deactivated in the  position, e.g. for drilling.

Select a higher setting or switch to the  symbol when unscrewing screws.

Gear selection, Mechanical

➤ **Actuate the gear selection lever 3 only when the machine is at a complete standstill.**

Two speed ranges can be preselected with the gear selection lever 3

Gear L:

Low speed range; for screwdriver or working with large drilling diameter.

Gear H:

High speed range; for working with small drilling diameter.

If the gear selector 3 cannot be pushed through to the stop, lightly turn the drill chuck.

Switching On and Off

To start the power tool, press the On/Off switch 5 and keep it pressed.

The light 6 is lit when the On/Off switch 5 is slightly or completely pressed in and allows for illumination of the work area under unfavorable lighting conditions

To switch off the power tool, release the On/Off switch 5.

Adjusting the Speed

The speed of the switch on power tool can be variably adjusted, depending on how far the On/Off switch 5 is pressed.

Light pressure on the On/Off switch 5 results in a low rotational speed. Further pressure on the switch results in an increase in speed.

Run-on Brake

When the On/Off switch 5 is released, the chuck brakes to a stop, thus preventing the run-on of the tool.

When driving in screws, wait until the screw is screwed in flush with the material and

then release the On/Off switch 5. By doing so, the head of the screw does not penetrate into the material.

Belt buckle

With the belt buckle 9, the machine can be hung onto a belt. The user has both hands free and the machine is always at hand.

Temperature Dependent Overload Protection

When using as intended for, the power tool cannot be subject to overload. When the load is too high or the allowable battery temperature range of 0-70°C is exceeded, the speed is reduced. The power tool will not run until reaching the allowable battery temperature.

Working Instructions

➤ **Apply the power tool to the screw only when it is switched off.** Rotating tool inserts can slip off.

Tips

After longer periods of working at low speed, allow the machine to cool down by running it for approx. 3 minutes at maximum speed with no load.

For drilling in metal, use only perfectly sharpened HSS drill bits (HSS=high Speed Steel).

Before screwing larger, longer screws into hard materials, it is advisable to pre drill a pilot hole with the core diameter of the thread to approx. 2/3 of the screw length.



Residual risks

Even when the power tool is used as prescribed it is not possible to eliminate all residual risk factors. The following hazards may arise in connection with the power tool's construction and design:

1. Damage to lungs if an effective dust mask is not worn.
2. Damage to hearing if effective hearing protection is not worn.

Damages to health resulting from vibration emission if the power tool is being used over longer period of time or not adequately managed and properly maintained

WARNING! This machine produces an electromagnetic field during operation. This field may under some circumstances interfere with active or passive medical implants. To reduce the risk of serious or fatal injury, we recommend persons with medical implants to consult their physician and the medical implant manufacturer before operating this machine.

For you safety



Read all safety warnings and all instruction. Failure to follow the warnings and instructions may result in electric shock, fire and/or serious injury.



WARNING! Do not work under the charging status!

Battery Maintenance Instruction

1. Charge timely before the battery is completely exhausted stop operation in low power and charge immediately.
2. Do not overcharge when the battery is full otherwise it will shorten the life time.
3. Charge battery in the room temperature of 5°C-40°C (41°F-104°F)
4. Charge battery every six months without operation for a long time.

Operating Instructions

● **Charger**

● **Battery**

Charge battery

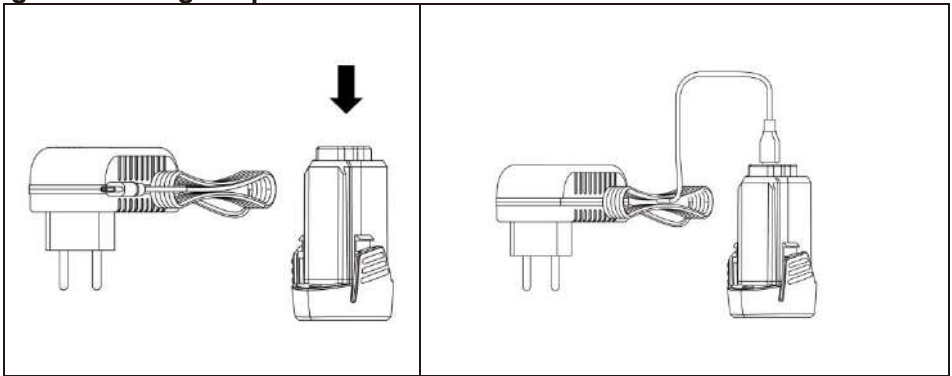
Please charge indoor.

The battery is supplied partially charged. To ensure full capacity of the battery, completely charge the battery in the battery charger before using your power tool for the first time.


It will take 60 minute to recharge the fully depleted battery at a temperature of 5-40 ° C

- 1) Please use the matching charger only.
- 2) Please connect the adapter with the charging seat before plug adapter into the socket.
- 3) Ensure the key on the battery inserting into the slot.
- 4) Insert the battery into the charging seat
- 5) Or insert DC adapter plug directly into the battery
- 6) Smart charger can assess the charging situation of the battery

Charger indicating lamps



Indicating lamp / Mode	Charger indicating lamp	Method
Standby	Green	Power on
Battery Failure	Green	Change battery
Battery Overtemperature	Green	Charging will be resumed automatically when the temperature is normal
Normal charging	Red	Be on charge
Complete charge	Green	Complete charge

 **WARNING!** This charger can only be used to charge the 027083-12V battery pack provided by the manufacturer of this product, and it is prohibited to charge any other equipment and instruments with TYPE-C input interface (for example, including but not limited to mobile phones, computers, tablets, etc.)

Initial operation

Observe correct mains voltage: The voltage of the power source must agree with the voltage specified on the nameplate of the unit.

Charging procedure

The charging process begins as soon as the mains plug has been plugged into the socket and the battery has been inserted into the charging compartment.

The intelligent charging process automatically detects the charging condition of the battery, allowing it to be charged with the optimum charging current depending on the battery voltage when charging.

This protects the battery, which always remains fully charged when kept in the charger during storage.

- A defective socket, cable or charger.

Corrective measure: Check the mains voltage and, if necessary, take the charger to an authorized customer service center for Crown power tools so it can be checked.

Practical Advice

■ After continuous or several repetitive charging cycles, the charger could warm up. However, this temperature increase is not indicating a technical defect in the unit.

■ A significantly reduced working period after charging indicates a used up battery that must be replaced.

Maintenance and Cleaning

Always keep the unit and the ventilation slots clean.

Should the unit fail in spite of the care taken during its manufacturing and testing, take it only to a customer service center for Crown power tools to be repaired.

Disposal

Battery chargers, accessories and packaging should be sorted for environmental-friendly recycling.

After-sales service

Zhejiang Gosail Trading Co.,Ltd.

No. 636, Jiufeng street Jinhua city, Zhejiang, China.

www.crown-tools.com

Original place: Jinhua Zhejiang

Service hotline: 400-883-2658 (China)

I. Общие указания по технике безопасности



ПРЕДУПРЕЖДЕНИЕ – Для снижения риска получения травм пользователь должен ознакомиться с руководством по эксплуатации!

Общие указания по технике безопасности при работе с электроинструментом



ПРЕДУПРЕЖДЕНИЕ! Прочтите все предупреждения и инструкции по технике безопасности.

Несоблюдение предупреждений и инструкций может привести к поражению электрическим током, пожару и/или серьезным травмам.

Сохраните все предупреждения и инструкции для дальнейшего использования.

Термин «электроинструмент» в предупреждениях относится к электроинструменту, работающему от сети (с проводом), или к электроинструменту, работающему от аккумулятора (беспроводной).

1. Безопасность рабочей зоны

а) Держите рабочее место чистым и хорошо освещенным. Загроможденные или темные участки провоцируют несчастные случаи.

б) Не используйте электроинструменты во взрывоопасных средах, например, в присутствии легковоспламеняющихся жидкостей, газов или пыли.

Электроинструменты создают искры, которые могут воспламенить пыль или пары.

с) Не допускаете детей и посторонних лиц во время работы с электроинструментом. Отвлекающие факторы могут привести к потере контроля.

2. Электробезопасность

а) Штепселя электроинструмента должны соответствовать розетке. Ни в коем случае не модифицируете штепсель. Не используете переходные штепселя с заземленными (заземленными) электроинструментами. Не модифицированные штепселя и соответствующие розетки снижают риск поражения электрическим током.

б) Избегаете контакта тела с заземленными или заземленными поверхностями, такими как трубы, радиаторы, плиты и холодильники. Существует повышенный риск поражения электрическим током, если ваше тело заземлено или заземлено.

с) Не подвергаете электроинструменты воздействию дождя или влаги. Попадание воды в электроинструмент повышает риск поражения электрическим током.

- d) Не злоупотребляете шнуром. Никогда не используете шнур для переноски, вытягивания или отключения электроинструмента. Держите шнур вдали от источников тепла, масла, острых краев или движущихся частей. Поврежденные или запутанные шнуры повышают риск поражения электрическим током.
- e) При работе с электроинструментом на открытом воздухе используете удлинитель, подходящий для использования вне помещений. Использование шнура, пригодного для использования вне помещений, снижает риск поражения электрическим током.
- f) Если работа с электроинструментом во влажном месте неизбежна, используете источник питания, защищенный устройством защитного отключения (УЗО). Использование УЗО снижает риск поражения электрическим током.

3. Личная безопасность

- a) Будьте бдительны, следите за своими действиями и руководствуетесь здравым смыслом при работе с электроинструментом. Не используете электроинструмент, если вы устали или находитесь под воздействием наркотиков, алкоголя или лекарств. Момент невнимательности при работе с электроинструментом может привести к серьезной травме.
- b) Используете средства индивидуальной защиты. Всегда надеваете защиту для глаз. Защитное снаряжение, такое как пылезащитная маска, нескользящая защитная обувь, каска или средства защиты органов слуха, используемые в соответствующих условиях, уменьшают количество травм.
- c) Предотвращение непреднамеренного запуска. Перед подключением к источнику питания и/или аккумулятору, поднятием или переноской инструмента подтвердите, что переключатель находится в выключенном положении. Переноска электроинструментов с пальцем на выключателе или подача питания на электроинструменты с включенным выключателем может привести к несчастным случаям.
- d) Удалите любой регулировочный ключ или гаечный ключ перед включением электроинструмента. Гаечный ключ или ключ, оставленные прикрепленными к вращающейся части электроинструмента, могут привести к травме.
- e) Не переусердствуйте. Всегда держите правильную опору и баланс. Это позволяет лучше контролировать электроинструмент в непредвиденных ситуациях.
- f) Оденьтесь правильно. Не носите свободную одежду или украшения. Держите волосы, одежду и перчатки подальше от движущихся частей. Свободная одежда, украшения или длинные волосы могут быть захвачены движущимися частями.
- g) Если предусмотрены устройства для подключения устройств для удаления и сбора пыли, подтвердите, что они подключены и используются надлежащим образом. Использование пылесборника может снизить опасность, связанную с пылью.

4. Использование электроинструмента и уход за ним

- a) Не применяете силу к электроинструменту. Используете правильный электроинструмент для вашего приложения. Правильный электроинструмент сделает работу лучше и безопаснее с той скоростью, для которой он был разработан.

- b) Не используете электроинструмент, если переключатель не включает и не выключает его. Любой электроинструмент, которым нельзя управлять с помощью выключателя, опасен и подлежит ремонту.
- c) Отсоединяете штепсель от источника питания и/или аккумулятор от электроинструмента перед выполнением каких-либо регулировок, заменой принадлежностей или хранением электроинструмента. Такие превентивные меры безопасности снижают риск случайного включения электроинструмента.
- d) Храните неиспользуемые электроинструменты в недоступном для детей месте и не позволяете лицам, не знакомым с электроинструментом или данными инструкциями, работать с электроинструментом. Электроинструменты опасны в руках неподготовленных пользователей.
- e) Техническое обслуживание электроинструмента. Проверяете наличие смещения или заедания движущихся частей, полочки деталей и любых других условий, которые могут повлиять на работу электроинструмента. В случае повреждения отремонтируете электроинструмент перед использованием. Причиной многих несчастных случаев является плохое техническое обслуживание электроинструмента.
- f) Держите режущие инструменты острыми и чистыми. Правильно обслуживаемые режущие инструменты с острыми режущими кромками с меньшей вероятностью заедают и ими легче управлять.
- g) Используйте электроинструмент, принадлежности, насадки и т. д. в соответствии с настоящей инструкцией, принимая во внимание условия работы и выполняемую работу. Использование электроинструмента для операций, отличных от предусмотренных, может привести к возникновению опасной ситуации.

5. Использование аккумуляторного инструмента и уход за ним

- a) Заряжаете только зарядным устройством, указанным производителем. Зарядное устройство, подходящее для одного типа аккумуляторной батареи, может создать опасность возгорания при использовании с другой аккумуляторной батареей.
- b) Используйте электроинструменты только со специально предназначенными аккумуляторными батареями. Использование любых других батарейных блоков может привести к травмам и возникновению пожара.
- c) Когда батарейный блок не используется, держите его подальше от других металлических предметов, таких как канцелярские скрепки, монеты, ключи, гвозди, винты или другие мелкие металлические предметы, которые могут соединять один разъем с другим. Замыкание клемм аккумулятора может привести к ожогам или возгоранию.
- d) В неблагоприятных условиях из аккумулятора может вытечь жидкость; избежать контакта. При случайном контакте промойте водой. При попадании жидкости в глаза дополнительно обратитесь за медицинской помощью. Жидкость, вытекающая из аккумулятора, может вызвать раздражение или ожоги.

6. Обслуживание

- a) Доверяете обслуживание электроинструмента квалифицированному специалисту с

использованием только идентичных запасных частей. Это обеспечит безопасность электроинструмента.

II. Особые указания по технике безопасности для аккумуляторной дрели

Особые указания по технике безопасности для аккумуляторной дрели

- Держите электроинструменты за изолированные захватные поверхности при выполнении операций, при которых режущий инструмент может соприкоснуться со скрытой проводкой или собственным шнуром. Режущая насадка, соприкасающаяся с проводом под напряжением, может привести к тому, что открытые металлические части электроинструмента также окажутся под напряжением и оператор может получить удар электрическим током.
- Используйте металлоискатель, чтобы определить, есть ли в рабочей зоне скрытые газовые или водопроводные трубы, или обратитесь за помощью в местную коммунальную компанию перед началом работы. Прикосновение к линиям электропередачи может привести к пожару и поражению электрическим током. Повреждение газопровода может привести к взрыву. Проникновение в водопроводные линии может привести к материальному ущербу.
- При заклинивании инструмента немедленно выключите электроинструмент. Будьте готовы к высокому крутящему моменту, который может привести к отдаче. Инструмент заклинивает, когда:
 - произошла сильная перегрузка или
 - инструмент заклинивает на рабочем месте
- При выполнении операций, при которых режущий инструмент может натолкнуться на скрытую проводку, держите электроинструмент только за изолированные поверхности захвата. Контакт с проводом, находящимся под напряжением, может привести к тому, что открытые металлические части инструмента окажутся под напряжением, что может привести к поражению оператора электрическим током.
- Крепко держите электроинструмент. При завинчивании и ослаблении винтов может кратковременно возникать высокий реактивный момент.
- Обеспечьте безопасность рабочего места. Надежно закрепляйте обрабатываемую заготовку. Заготовка, установленная в зажимное приспособление, удерживается надежнее, чем в руках.
- Поддерживайте чистоту на рабочем месте. Смеси материалов особенно опасны. Пыль из легких сплавов может воспламениться или взорваться.
- Всегда ждите полной остановки электроинструмента, прежде чем опускать его на место. Режущую пластину может заклинить, что может привести к потере контроля

над электроинструментом.

- Избегайте случайного включения. Убедитесь, что переключатель включения/выключения находится в положении «выключено» перед установкой батарейного блока. При переноске инструмента держите палец на выключателе, иначе вставка аккумуляторного блока в электроинструмент с включенным выключателем может привести к несчастным случаям.
- Не вскрывайте аккумулятор. Опасность замыкания



Защищайте аккумулятор от перегрева, например, от постоянного солнечного излучения и пожара. Существует опасность взрыва.

- При повреждении и неправильном использовании аккумулятора возможно выделение паров. Обеспечьте доступ свежего воздуха и обратитесь за медицинской помощью в случае жалоб. Пары могут вызывать раздражение дыхательной системы.
- Если аккумулятор неисправен, жидкость может вытекать и попадать на соседние компоненты. Проверьте все соответствующие детали. При необходимости очистите такие детали или замените их.

Зарядное устройство для аккумулятора

- Защищайте зарядное устройство от дождя и влаги. Попадание воды в зарядное устройство повышает риск поражения электрическим током.
- Не заряжайте другие аккумуляторы. Данное зарядное устройство подходит только для зарядки литий-ионных аккумуляторов в пределах указанного диапазона напряжений. В противном случае существует опасность возгорания и взрыва.
- Содержите зарядное устройство в чистоте. Загрязнение может привести к поражению электрическим током.
- Каждый раз перед использованием проверяйте состояние зарядного устройства, кабеля и вилки. Не используйте зарядное устройство при обнаружении неисправностей. Не открывайте зарядное устройство самостоятельно и ремонтируйте его только при помощи квалифицированного персонала с использованием оригинальных запасных частей. Не вскрывайте зарядное устройство самостоятельно. Поврежденные зарядные устройства, кабели и вилки повышают риск поражения электрическим током. Не используйте зарядное устройство на легковоспламеняющихся поверхностях (например, на бумаге,

текстиле и т.д.) или в горючих средах. Из-за нагрева зарядного устройства во время зарядки существует опасность возгорания.



ПРЕДУПРЕЖДЕНИЕ! Чтобы избежать поражения электрическим током,

возгорания или серьезных травм, прочтите и разберитесь в данном руководстве по эксплуатации. Надевайте защитные очки. Не снимайте, не измельчайте, не нагревайте устройство до 100°C и не сжигайте его. Используйте только со специализированным зарядным устройством.

Не допускайте короткого замыкания шнура и не бросайте его в огонь. При зарядке рекомендуется поддерживать температуру в помещении от 5 до 40 °С. Остерегайтесь взрыва или возгорания. Поместите аккумулятор в недоступном для детей месте. Не используйте батарейный блок в качестве молотка, так как удар по батарее может привести к случайному короткому замыканию или взрыву.



Прочтите все предупреждения и инструкции по технике безопасности.

Несоблюдение предупреждений и инструкций может привести к поражению электрическим током, пожару и/или серьезным травмам.

Использование по назначению

Инструмент предназначен для закручивания и откручивания шурупов, а также для сверления отверстий в дереве, металле, керамике и пластмассе.

Заявленное суммарное значение вибрации было измерено в соответствии со стандартным методом испытаний и может быть использовано для сравнения одного инструмента с другим. Заявленное суммарное значение вибрации может также использоваться для предварительной оценки воздействия.

Предупреждения

Уровень вибрации при фактическом использовании электроинструмента может отличаться от заявленного общего значения в зависимости от способа использования инструмента.

Необходимо определить меры безопасности для защиты оператора, основанные на оценке воздействия в реальных условиях эксплуатации (с учетом всех этапов рабочего цикла, таких как время, когда инструмент выключен и когда он работает вхолостую, в дополнение к времени срабатывания).

(Проверьте соответствующую информацию о шуме и вибрации)

Шум (проверено в соответствии с EN 60745-1 и EN 60745-2-1):






$L_{pA}=69\text{dB(A)}$; $L_{wA}=80\text{ dB(A)}$, $K=3\text{dB(A)}$

Вибрация (проверена в соответствии с EN 6045-1 и EN 60745-2-1): $a_h = 1,069\text{m/s}^2$

$K=1.5\text{m/s}^2$

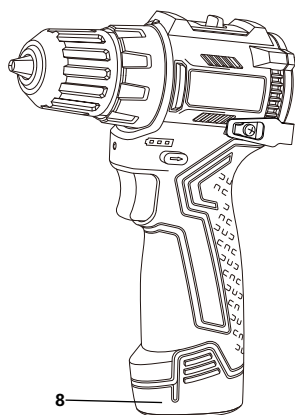
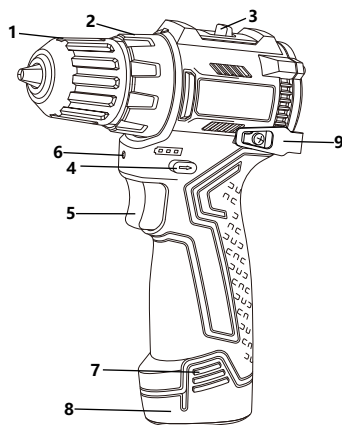
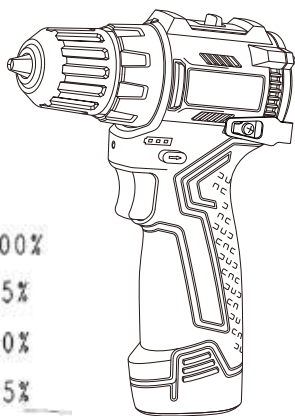
Символы

На заводской табличке вашего инструмента могут быть указаны символы. Они представляют собой важную информацию об изделии или инструкции по его использованию.

	Прочтите руководство по эксплуатации
	Двойная изоляция для дополнительной защиты (зарядное устройство)
	При работе с электроинструментом надевайте средства защиты органов слуха.
	Надевайте защитные очки.
	Отработанные электрические изделия не следует выбрасывать вместе с бытовыми отходами. Пожалуйста, утилизируйте их там, где это возможно. Обратитесь в местные органы управления или к продавцу за рекомендациями по утилизации.

III. Ознакомление с изделием/описание и технические параметры

Характеристики изделия




1. Безключевой патрон	2. Кольцо предварительной настройки крутящего момента	3. Триггер скорости
4. Рычаг переключения передач	5. Переключатель включения/выключения	6.LED
7. Кнопка отсоединения аккумулятора	8.Аккумулятор	9. Пряжка ремня

Нумерация принадлежностей изделия соответствует изображению электроинструмента на странице с графикой.

* **Иллюстрированные или описанные принадлежности не входят в стандартную**

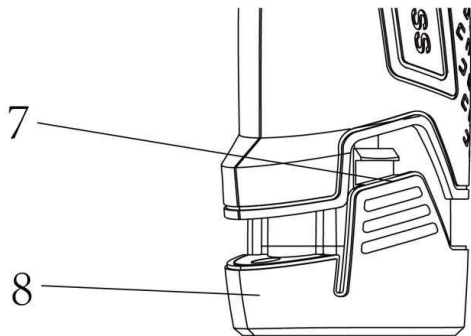
комплектацию.

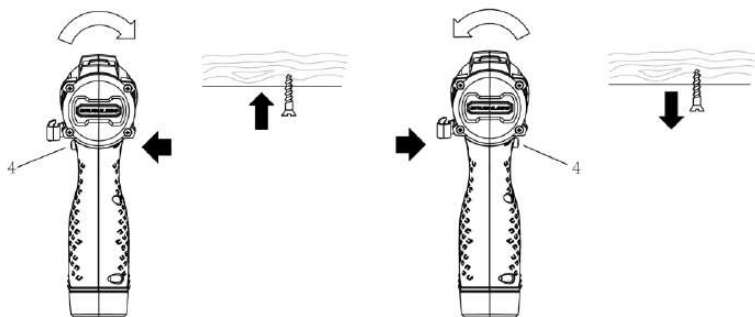
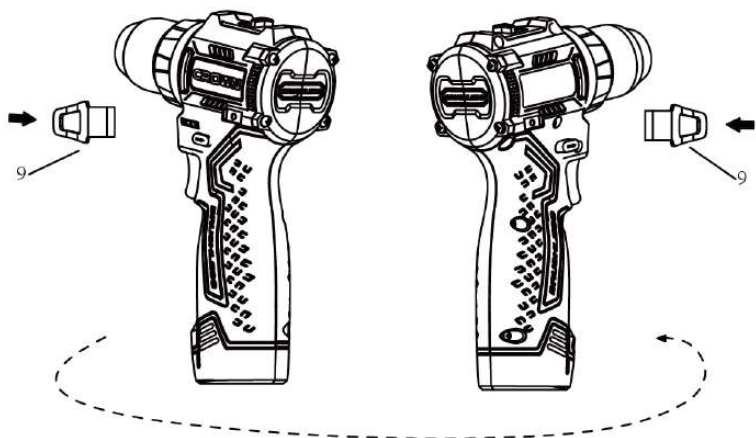
Технические характеристики

Номер модели изделия		СТ21129НХ	СТ21129НМХ
Номинальное напряжение		12	
Скорость на холостом ходу			
-1-я передача	r/min	0-420	
-2-я передача	r/min	0-1800	
Частота удара			
Макс. крутящий момент для завинчивания твердых/мягких винтов согласно ISO 5393	Nm	45/23	
Максимальный диаметр сверления.			
-Сталь	mm	10	
-Дерево	mm	36	
Максимальный диаметр винта	mm	8	
Диапазон зажима патрона	mm	0.8-10	
Резьба шпинделя сверла	mm	3/8"	
Поддержка батарейного блока		027018	/ 027083
Аккумулятор		Li-ion	
Вместимость	Ah	2	
Время зарядки	h	1/2	
Диапазон температур может быть изменен	°C	5-40	
Вес	kg	0.88	0.91
Соответствующее зарядное		027512	/ 027590

устройство		
Входное напряжение зарядного устройства		220-240V~ 50/60Hz / 110-240V~ 50/60Hz
Выходное напряжение	V	10.8-12
Зарядный ток	A	1/2
Класс безопасности		□/II

Сборка





Зарядка аккумулятора (см. рисунок А)

- **Используйте только зарядные устройства, указанные на странице аксессуаров. Только эти зарядные устройства подходят для литий-ионного аккумулятора в вашем электроинструменте.**

Примечание: Аккумулятор поставляется частично заряженным. Чтобы обеспечить полную зарядку аккумулятора, перед первым использованием электроинструмента полностью зарядите его в зарядном устройстве.

Литий-ионный аккумулятор можно зарядить в любое время без уменьшения срока его службы.

Прерывание процедуры зарядки не приводит к повреждению аккумулятора.

Литий-ионный аккумулятор защищен от глубокого разряда функцией "Электронная защита элементов питания (ЕСР)". Когда аккумулятор разряжен, устройство выключается с помощью защитной цепи: вставленный инструмент больше не вращается.



ПРЕДУПРЕЖДЕНИЕ! Не нажимайте кнопку включения/выключения после автоматического выключения устройства. Это может привести к повреждению аккумулятора. Извлеките аккумулятор 8, нажмите кнопки разблокировки 7 и извлеките аккумулятор вниз. Не прилагайте никаких усилий.

Аккумулятор оснащен системой контроля температуры NTC, которая позволяет заряжать его только в диапазоне температур от 5 °С до 40 °С. Таким образом достигается длительный срок службы аккумулятора.

Соблюдайте инструкции по утилизации.

Замена инструмента (см. рисунок В)

Перед выполнением любых работ с электроинструментом (например, техническое обслуживание, замена инструмента и т.д.), а также при транспортировке и хранении установите переключатель направления вращения в центральное положение. Непреднамеренное включение/выключение переключателя может привести к травмам. Если кнопка ВКЛЮЧЕНИЯ/ выключения 7 не нажата, шпиндель сверла находится в разблокированном состоянии, при замене инструмента следует удерживать одной рукой зажимное кольцо, а другой - крышку зажима, затем поворачивать крышку зажима в направлении, указанном стрелкой под патроном на рисунке В, до тех пор, пока инструмент может быть вставлен точно.

Если вы повернете крышку патрона в направлении вращения, указанном стрелкой под патроном на рисунке В, зажимы в патроне 1 будут закрыты

Замена сверлильного патрона

➤ Перед выполнением любых работ с электроинструментом (например, техническое обслуживание, замена инструмента и т.д.), а также при транспортировке и хранении установите переключатель направления вращения в центральное положение. Непреднамеренное включение/выключение переключателя может привести к травмам.

Отвинчивание крепежного винта (см. рисунок С)

Безключевой патрон 1 закреплен крепежным винтом 13, предотвращающим случайное отвинчивание от шпинделя сверла. Полностью откройте безключевой патрон 1 и открутите крепежный винт 13 в направлении вращения. Обратите внимание, что крепежный винт имеет левую резьбу.

Извлечение сверлильного патрона (см. рисунок D)

Вставьте короткий конец шестигранного ключа 14 в безключевой патрон 1.

Установите устройство на устойчивую поверхность (например, на верстак). Крепко держите устройство и ослабьте безключевой патрон 1, повернув шестигранный ключ 14

в направлении вращения①). Ослабьте плотно установленный безключевой патрон, слегка ударив по нему длинным концом шестигранного ключа 14. Извлеките шестигранный ключ из безключевого патрона и полностью отвинтите безключевой патрон.

Установка сверлильного патрона (см. рисунок)

Безключевой патрон устанавливается в обратном порядке.



The drill chuck must be tightened with a tightening torque of approx.20Nm.

Сверлильный патрон должен быть затянут с моментом затяжки около 20 Нм.

Вверните крепежный винт 13 против часовой стрелки в открытый безключевой патрон; Момент затяжки около 4-5 Нм. Всегда используйте новый крепежный винт, так как резьба покрыта составом для фиксации резьбы, который теряет свои свойства после многократного использования.

Снятие пряжки ремня

Нажмите на подходящую крестовую отвертку, выверните крепежный винт пряжки ремня, выньте пряжку ремня 9. На пряжку ремня можно нажать слева или справа от устройства.

Удаление пыли/стружки

➤ Пыль, содержащаяся в таких материалах, как покрытия, содержащие свинец, некоторые породы древесины, минералы и металлы, может быть вредна для здоровья человека. Прикосновение к пыли или вдыхание пыли может вызвать аллергические реакции и/или привести к респираторным инфекциям у оператора или посторонних лиц. Некоторые виды пыли, такие как дубовая или буковая, считаются канцерогенными, особенно в связи с добавками для обработки древесины (хромат, консервант для древесины). С материалами, содержащими асбест, могут работать только специалисты.

-Обеспечьте хорошую вентиляцию рабочего места.

-Рекомендуется использовать респиратор с фильтром класса P2.

Соблюдайте действующие в вашей стране правила в отношении обрабатываемых материалов.

Операция

Начало работы

Установка аккумулятора

➤ Используйте только оригинальные литий-ионные аккумуляторы этой марки с напряжением, указанным на заводской табличке вашего электроинструмента. Использование других аккумуляторов может привести к травмам и

пожароопасности

Примечание: Использование батареек, не подходящих для данного устройства, может привести к сбоям в работе электроинструмента или его повреждению. Установите переключатель направления вращения 4 в центральное положение, чтобы избежать непреднамеренного запуска. Вставьте заряженный аккумулятор 8 в рукоятку так, чтобы можно было почувствовать, как он входит в зацепление, и чтобы его поверхности были заподлицо с рукояткой.

Изменение направления вращения на противоположное

(См. рисунок F)


Переключатель направления вращения 4 используется для изменения направления вращения машины на противоположное. Однако это невозможно при включенном/выключенном переключателе 5.

Вращение вправо: Для сверления и завинчивания винтов нажмите переключатель направления вращения 4 влево до упора.

Вращение влево: Для ослабления и отвинчивания винтов и гаек нажмите переключатель направления вращения 4 вправо до упора.

Настройка крутящего момента

С помощью кольца предварительной настройки крутящего момента 2 требуемую настройку крутящего момента можно предварительно выбрать за 21+1 шаг. При правильной настройке режущий инструмент останавливается, как только винты вкручиваются в материал или когда достигается заданный крутящий момент.

Предохранительная муфта отключена в этом  положении, например, для сверления.

Выберите более высокую настройку  или переключитесь на символ при отвинчивании винтов.

Выбор передачи, механический

➤ Нажимайте на рычаг выбора передачи 3 только после полной остановки устройства. С помощью рычага выбора передачи 3 можно предварительно выбрать два диапазона скоростей

Передача L:

Диапазон низких оборотов; для шуруповерта или работы с большим диаметром сверления.

Передача H:

Широкий диапазон скоростей; для работы с небольшим диаметром сверления.

Если переключатель передач 3 не удастся установить до упора, слегка поверните сверлильный патрон.

Включение и выключение

Чтобы запустить электроинструмент, нажмите кнопку включения/выключения 5 и удерживайте ее нажатой.

Индикатор 6 загорается при легком или полном нажатии кнопки включения/выключения 5 и позволяет осветить рабочую зону при неблагоприятных условиях освещения

Чтобы выключить электроинструмент, отпустите переключатель включения/выключения 5.

Регулировка скорости

Скорость включения электроинструмента можно регулировать в зависимости от того, насколько сильно нажата кнопка включения/выключения 5. Небольшое нажатие на кнопку включения/выключения 5 приводит к снижению скорости вращения. Дальнейшее нажатие на кнопку приводит к увеличению скорости.

Тормоз включения/выключения

При отпускании кнопки включения/выключения 5 патрон тормозится до упора, что предотвращает включение инструмента.

При вкручивании шурупов подождите, пока шуруп не будет вкручен с материалом, а затем отпустите кнопку включения/выключения 5. Ву при этом головка шурупа не войдет в материал

Пряжка для ремня

С помощью пряжки для ремня 9 станок можно закрепить на ремне. У пользователя свободны обе руки, а станок всегда под рукой.

Защита от перегрузки в зависимости от температуры

При использовании по назначению электроинструмент не может подвергаться перегрузкам. При слишком высокой нагрузке или превышении допустимого диапазона температур аккумулятора от 0 до 70°C скорость вращения снижается. Электроинструмент не будет работать, пока температура аккумулятора не достигнет допустимой.

Инструкции по эксплуатации

- Прикасайтесь к винту электроинструментом только в выключенном состоянии. Вращающиеся режущие пластины могут соскользнуть.

Советы

После продолжительной работы на низкой скорости дайте станку остыть, запустив его примерно на 3 минуты на максимальной скорости без нагрузки.

Для сверления по металлу используйте только идеально заточенные сверла из HSS (HSS = быстрорежущая сталь).

Перед винчиванием больших и длинных шурупов в твердые материалы рекомендуется предварительно просверлить контрольное отверстие, диаметр резьбы которого должен составлять примерно 2/3 длины шурупа.



Остаточные риски

Даже при использовании электроинструмента в соответствии с предписаниями, невозможно устранить все остаточные факторы риска. В связи с конструкцией электроинструмента могут возникнуть следующие опасности:

1. Повреждение легких при отсутствии эффективной респираторной маски.
2. Повреждение слуха при отсутствии эффективных средств защиты органов слуха.

Вред здоровью, возникающий в результате вибрации, вызванной длительным использованием электроинструмента или неправильным

ПРЕДУПРЕЖДЕНИЕ! Во время работы это устройство создает электромагнитное поле.

При определенных обстоятельствах это поле может создавать помехи для активных или пассивных медицинских имплантатов. Чтобы снизить риск получения серьезных или смертельных травм, мы рекомендуем лицам с наличием медицинских имплантатов проконсультироваться со своим лечащим врачом и производителем медицинских имплантатов перед началом эксплуатации данного устройства.

Для вашей безопасности



Прочтите все предупреждения и инструкции по технике безопасности. Несоблюдение предупреждений и инструкций может привести к поражению электрическим током, пожару и/или серьезным травмам.



ПРЕДУПРЕЖДЕНИЕ! Не работайте в режиме зарядки!

Инструкция по техническому обслуживанию аккумулятора

1. Своевременно заряжайте аккумулятор, пока он полностью не разрядился, прекратите работу при низком энергопотреблении и немедленно зарядите его.
2. Не перегружайте аккумулятор, если он полностью заряжен, иначе это сократит срок

его службы.

3. Заряжайте аккумулятор при комнатной температуре в 5°C-40°C (41°C-104°C)

4. Без использования в течение длительного времени заряжайте аккумулятор каждые шесть месяцев.

Инструкция по эксплуатации

● Зарядное устройство ● Аккумулятор

Зарядка аккумулятора

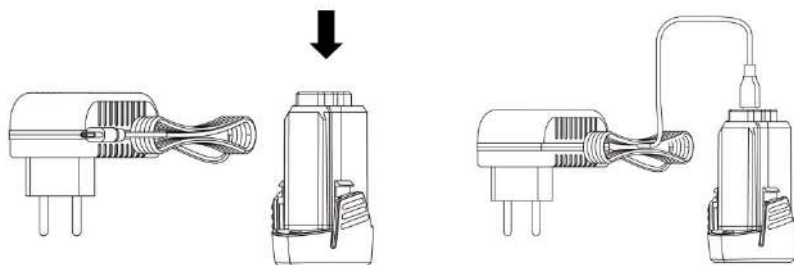
Пожалуйста, заряжайте аккумулятор в помещении.

Аккумулятор поставляется частично заряженным. Чтобы обеспечить его полную зарядку, перед первым использованием электроинструмента полностью зарядите аккумулятор с помощью зарядного устройства.

Для зарядки полностью разряженной батареи при температуре 5-40°C потребуется 60 минут.

- 1) Пожалуйста, используйте только соответствующее зарядное устройство.
- 2) Пожалуйста, подключите адаптер к зарядному устройству, прежде чем вставлять адаптер в розетку.
- 3) Убедитесь, что ключ на батарее вставлен в гнездо.
- 4) Вставьте батарейку в гнездо для зарядки.
- 5) Или вставьте вилку адаптера постоянного тока непосредственно в батарейку.
- 6) Интеллектуальное зарядное устройство может оценить ситуацию с зарядкой аккумулятора.

Индикаторные лампы зарядного устройства



	Индикаторная лампа	Индикаторная лампа зарядного устройства	Method
Режим			
Режим ожидания		Зеленый	Включение питания
Неисправность аккумулятора		Зеленый	Замена аккумулятора

Перегрев аккумулятора	Зеленый	Зарядка возобновится автоматически, когда температура придет в норму.
Нормальная зарядка	Красный	В процессе зарядки
Полная зарядка	Зеленый	Полная зарядка



ПРЕДУПРЕЖДЕНИЕ! Данное зарядное устройство предназначено только для зарядки аккумулятора 027083-12V,

предоставленного производителем данного изделия. Запрещается заряжать любое другое оборудование и приборы со

входом TYPE-C (например, мобильные телефоны, компьютеры, планшеты и т. д.)

Первоначальная эксплуатация

Соблюдайте правильное напряжение сети: Напряжение источника питания должно соответствовать напряжению, указанному на заводской табличке устройства.

Процедура зарядки

Процесс зарядки начинается, как только вилка сетевого шнура вставлена в розетку, а аккумулятор - в зарядный отсек.

Интеллектуальный процесс зарядки автоматически определяет состояние заряда аккумулятора, позволяя заряжать его оптимальным зарядным током в зависимости от напряжения аккумулятора во время зарядки.

Это защищает аккумулятор, который при хранении в зарядном устройстве всегда остается полностью заряженным.

- Неисправна розетка, кабель или зарядное устройство.

Меры по устранению неполадок: Проверьте напряжение сети и, при необходимости, отнесите зарядное устройство в авторизованный сервисный центр обслуживания электроинструментов Crown, чтобы его можно было проверить.

Практические рекомендации

■ После непрерывных или нескольких повторяющихся циклов зарядки зарядное устройство может перегреться.

Однако данное повышение температуры не указывает на техническую неисправность устройства.

■ Значительное сокращение времени работы после зарядки указывает на то, что аккумулятор необходимо заменить.

Техническое обслуживание и чистка

Всегда содержите устройство и вентиляционные отверстия в чистоте.

В случае выхода устройства из строя, несмотря на все меры предосторожности, принятые при его изготовлении и тестировании, относите его только в сервисный центр обслуживания электроинструментов Crown.

Утилизация

Зарядные устройства, аксессуары и упаковка должны быть отсортированы для экологически безопасной переработки.

Послепродажное обслуживание

Zhejiang Go sail Trading Co.,Ltd.

No. 636, Jiufeng street Jinhua city, Zhejiang, China.

www.crown-tools.com

Место происхождения: Jinhua Zhejiang

Горячая линия обслуживания: 400-883-2658 (Китай)

I. უსაფრთხოების ზოგადი ინსტრუქციები



გაფრთხილება – ტრავმის რისკის შესამცირებლად მომხმარებელმა უნდა წაიკითხოს ინსტრუქციის სახელმძღვანელო!

ზოგადი ელექტრო ხელსაწყოების უსაფრთხოების გაფრთხილებები



გაფრთხილება! წაიკითხეთ უსაფრთხოების ყველა გაფრთხილება და ყველა ინსტრუქცია.

გაფრთხილებებისა და ინსტრუქციების შეუსრულებლობამ შეიძლება გამოიწვიოს ელექტროშოკი, ხანძარი და/ან სერიოზული დაზიანება.

ქვემოთ ყველა გაფრთხილება და ინსტრუქცია მომავალი მითითებისთვის.

ტერმინი "ელექტრო ინსტრუმენტი" გაფრთხილებებში ეხება თქვენს ელექტროენერგიაზე მომუშავე (კაბელებით) ელექტრო ინსტრუმენტს ან ელემენტებზე მომუშავე (უკაბელო) ელექტრო ინსტრუმენტს.

1) სამუშაო ადგილის უსაფრთხოება

a) სამუშაო ადგილი უნდა იყოს სუფთა და კარგად განათებული.

გადატვირთული ან ბნელი ადგილები იწვევს უბედურ შემთხვევებს.

b) არ გამოიყენოთ ელექტრო ხელსაწყოები ფეთქებად ატმოსფეროში, ისეთ პირობებში, სადაც არის აალებადი სითხეები, გაზები ან მტვერი.. ელექტრო ხელსაწყოები ქმნიან ნაპერწკლებს, რომლებსაც შეუძლიათ მტვრის ან კვამლის აალება.

c) ელექტრო ხელსაწყოს მუშაობისას მთავრად ბავშვები და უცხო პირები სამუშაო გარემოს. ყურადღების გაფანტვამ შესაძლოა გამოიწვიოს კონტროლის დაკარგვა.

2) ელექტრო უსაფრთხოება

a) დენის ხელსაწყოს შტექერი უნდა ემთხვეოდეს შტექესელს. არასოდეს შეცვალოთ შესაერთებელი. არ გამოიყენოთ ადაპტერის შტექერი დამიწებული ელექტრო ხელსაწყოებით. შეუცვლელი (ორიგინალი) შტექერი და შესაბამისი სადენები შეამცირებს დენის დარტყმის რისკს.

b) მოერიდეთ სხეულის კონტაქტს დამიწებასთან ან დამიწებულ ზედაპირებთან, როგორცაა მიწები, რადიატორები, ღობეები და მაცივრები. დენის დარტყმის რისკი არსებობს იმ შემთხვევაში თუ თქვენი სხეული დამიწებულელია.

- c) არ დაუშვავთ ელექტრო იარაღები მოხვდეს წვიმის ან სველი პირობების ქვეშ. ელექტრო ინსტრუმენტში შემავალი წყალი გაზრდის დენის დარტყმის რისკს.
- d) არ დააზიანოთ კაბელი. არასოდეს გამოიყენოთ კაბელი ელექტრო ხელსაწყოს ტარების, გაყვანისა და გამორთვისთვის. დაიცავით კაბელი სითბოსგან, ზეთისგან, მკვეთრი კიდეებისგან ან მოძრავი ნაწილებისგან. დაზიანებული ან ჩახლართული სადენები ზრდის ელექტროშოკის რისკს.
- e) ელექტრო ხელსაწყოს გარე გამოყენებისას გამოიყენეთ დამაგრძელებელი კაბელი, რომელიც შესაფერისია გარე გამოყენებისთვის. გარე გამოყენებისათვის შესაფერისი კაბელის გამოყენება ამცირებს დენის დარტყმის რისკს.
- f) თუ ნესტიან ადგილას ელექტრო ხელსაწყოს მუშაობა გარდაუვალია, გამოიყენეთ დიფერენციალური ამომრთველი (RCD) დაცული წყარო. დიფერენციალური ამომრთველი ამცირებს დენის დარტყმის რისკს.

3) პირადი უსაფრთხოება

- a) იყავით ფხიზლად, უყურეთ რას აკეთებთ და გამოიყენეთ საღი აზრი ელექტრო ხელსაწყოს მუშაობისას. არ გამოიყენოთ ელექტრო ხელსაწყო დაღლილობისას ან ნარკოტიკების, ალკოჰოლის ან მედიკამენტების ზემოქმედების ქვეშ. ელექტრო ინსტრუმენტების მუშაობისას უყურადღებობის მომენტმა შეიძლება გამოიწვიოს სერიოზული პირადი დაზიანება.
- b) გამოიყენეთ პირადი დამცავი აღჭურვილობა. ქულ იქონიეთ თან თვალების დამცავი საშუალება. დამცავი აღჭურვილობა, როგორცაა მტვრის ნიღაბი, დამცავი ფეხსაცმელი, მყარი ქუდი ან სმენის დამცავი, რომელიც გამოიყენება შესაბამისი პირობებისთვის, ეს შეამცირებს პირად დაზიანებებს.
- c) თავიდან აიცილეთ უნებლიე ჩართვა. დარწმუნდით რომ ხელსაწყო სრულიად გამორთულია, გამორთვის ღილაკი გადაამოწმეთ იქამდე სანამ დენის წყაროსთანან ბატარეასთან დააკავშირებთ, ან სანამ აიღებთ და წაიღებთ ხელსაწყოს. ელექტრო ხელსაწყოების გადატანა თითოთ გადამრთველზე იწვევს ხელსაწყოს ჩართვას. ენერჯის წყაროსთან შეერთებული ელექტრო ინსტრუმენტები, რომელთა ჩართვის ღილაკი ჩართულ მდგომარეობაშია იწვევს უბედურ შემთხვევებს.
- d) მოხსენით ნებისმიერი მომჭერი ან ქანჩი იქამდე სანამ ჩართავთ მოწყობილობას. ქანჩი ან ნებისმიერი დარჩენილი გასაღები რომელიც არის მიწებებული მბრუნავ ნაწილზე იწვევს პერსონალურ დაზიანებას.
- e) ზედმეტად არ გამოიყენოთ. მუდმივად ქეინარჩუნეთ შესაბამისი სიზუსტე და ბალანსი. ეს შესაძლებლობას გაძლევთ უკეთესად გააკონტროლოთ ხელსაწყო მოულოდნელ სიტუაციებში. .
- f) ჩაიცვით სწორად. ქრ ჩაიცვათ ფართე ტანსაცმელი ან არ გაიკეთოთ დიდი ზომის სამკაულები. ქორს გქონდეთ თმა, ტანსაცმელი და სამკაული ხელსაწყოს მოძრავი ნაწილებისგან. ფართე ტანსაცმელი, სამკაულები ან გრძელი თმა შეიძლება ჩაიჭედოს მოძრავ

ნაწილებში.

გ) თუ მოწყობილობები უზრუნველყოფილია მტვრის მოპოვებისა და შეგროვების ობიექტებთან დასაკავშირებელი ნაწილებით დარწმუნდით, რომ ისინი დაკავშირებულია და სათანადოდ გამოიყენება. მტვრის შემგროვებლის გამოყენებამ შეიძლება შეამციროს მტვერთან დაკავშირებული საფრთხეები.

4) ელექტრო ხელსაწყოთა გამოყენება და მოვლა

a) არ დააძალოთ ელექტრო ხელსაწყო. გამოიყენეთ სწორი ხელსაწყო თქვენი სამუშაოსთვის. მწორი ხელსაწყო გააკეთებს უკეთესად საქმეს და უფრო უსაფრთხოდ იმუშავებს იმ მაჩვენებლების მიხედვით თუ როგორც არის ის შექმნილი.

b) არ გამოიყენოთ ელექტრო ხელსაწყო, თუ გადამრთველი არ ჩართავს და გამორთავს მას. ელემენტური ხელსაწყო რომელსაც არ უმუშავებს ჩამრთველ-გამომრთველი საშიშია და უნდა შეკეთდეს.

c) გამოაერთეთ შტექერი დენის წყაროდან და/ან ამოიღეთ ბატარეების ბლოკი, თუ ის მოხსნადია, მოწყობილობიდან სანამ მოახდენთ რაიმე სახის რეგულირებას, აქსესუარების შეცვლას ან შეინახავთ ელექტრო ხელსაწყოებს. ასეთი უსაფრთხოების ზომები ამცირებს ელექტრო ხელსაწყოთა შემთხვევითი ჩართვის რისკს.

d) მსგავსი სახის ხელსაწყოები და მათი ინსტრუქცია შეინახეთ ბავშვებისგან მიუწვდომელ ადგილას და ასევე იმ ადამიანებისგან ვინც არ იცის მათი გამოყენება. მწორი ხელსაწყოები საშიშია იმ ადამიანების ხელში ვინც არ არის გაწვრთნილი მათ გამოყენებაში.

e) ელექტრო იარაღების მოვლა. შეამოწმეთ მოძრავი ნაწილების არასწორი განლაგება ან ზმა, ნაწილების გატეხვა და სხვა ელემენტური მდგომარეობა რამაც შესაძლოა გავლენა იქონიოს მოწყობილობის მუშაობაზე. თუ ხელსაწყოს აქვს რაიმე სახის დაზიანება, შეაკეთეთ იგი გამოყენებამდე. ბევრი უბედური შემთხვევა გამოწვეულია ცუდად მოვლილი ელექტრო ხელსაწყოებით.

f) შეინახეთ საჭრელი იარაღები ბასრი და სუფთა. მწორად ფუნქციონერებადი მჭრელი ინტრუმენტები ბასრი კუთხეებით ბევრად მარტივი სამართავია.

გ) გამოიყენეთ ელექტრო ხელსაწყოები, აქსესუარები და ხელსაწყოები და ა.შ. ამ ინსტრუქციის შესაბამისად, სამუშაო პირობებისა და შესასრულებელი სამუშაოს გათვალისწინებით. ელესაწყოთა გამოყენება სხვა ვითარებებში რომელსაც არ ექვემდებარება ის არის საფრთხის შემცველი.

5) ბატარეის ხელსაწყოთა გამოყენება და მოვლა

a) დამუხტეთ მხოლოდ მწარმოებლის მიერ მითითებული დამტენით. დამტენმა, რომელიც შესაფერისია ერთი ტიპის ბატარეის პაკეტისთვის, შეიძლება გამოიწვიოს ხანძრის რისკი სხვა ბატარეის პაკეტთან ერთად გამოყენებისას.

b) გამოიყენეთ ელექტრო ხელსაწყოები მხოლოდ სპეციალურად განსაზღვრული ბატარეის პაკეტებით. ეებისმიერი სხვა ბატარეის გამოყენებამ შეიძლება შექმნას ტრავმისა და ხანძრის რისკი.

c) როდესაც ბატარეის პაკეტს არ იყენებთ, შეინახეთ იგი ისეთი ლითონის საგნებისგან მოშორებით, როგორცაა ქაღალდის სამაგრები, მონეტები, გასადებები, ლურსმნები, ხრახნები ან სხვა პატარა ლითონის საგნები, რომლებსაც შეუძლიათ კავშირი დაამყარონ ერთი ტერმინალიდან მეორეზე. ბატარეის ტერმინალების ერთმანეთთან დაკავშირებამ შეიძლება გამოიწვიოს დამწვრობა ან ხანძარი.

d) არასწორ პირობებში გამოყენებამ შეიძლება გამოიწვიოს ბატარეიდანსითხის გაჟონვა; მოერიდეთ კონტაქტს. თუ შემთხვევით მოხდება კონტაქტი, ჩამოიბანეთ წყლით. თუ სითხე მოგხვდათ თვალებში, დამატებით მიმართეთ სამედიცინო დახმარებას. ბატარეიდან გამოჟონილმა სითხემ შეიძლება გამოიწვიოს გაღიზიანება ან დამწვრობა.

6) სერვისი

ა) თქვენი ელექტრო ხელსაწყო სერვისის მიანდეთ კვალიფიციურ შემკეთებელს, გამოიყენეთ მხოლოდ იდენტური სათადარიგო ნაწილები. ეს უზრუნველყოფს ელექტრო ხელსაწყოს უსაფრთხოების შენარჩუნებას.

II. უსაფრთხოების სპეციალური გაფრთხილებები უსადენო

ბურღვისთვის

სპეციფიური უსაფრთხოების გაფრთხილებები უსადენო ბურღვისთვის

- როდესაც ანხორციელებთ ოპერაციებს, როდესაც საჭრელი აქსესუარი შეიძლება დაუკავშირდეს ფარულ გაყვანილობას ან საკუთარ კაბელს, დაიჭირეთ ელექტრო ხელსაწყო იზოლირებული დასაჭერი ზედაპირებით. საჭრელმა აქსესუარმა, რომელიც ეკონტაქტება ძაბვის ქვეშ მყოფ მავთულს, შესაძლოა ელექტრო ხელსაწყოს გამიშვებულ ლითონის ნაწილებში დენის გადატანა და ოპერატორის ელექტრო შოკი გამოიწვიოს.
- გამოიყენეთ შესაბამისი დეტექტორები იმის დასადგენად, არის თუ არა დამალული კომუნალური ხაზები სამუშაო ზონაში, ან მიმართეთ ადგილობრივ კომუნალურ კომპანიას დახმარებისთვის. ელექტრო ხაზებთან კონტაქტმა შეიძლება გამოიწვიოს ხანძარი და ელექტრო შოკი. გაზსადენის დაზიანებამ შეიძლება გამოიწვიოს აფეთქება. წყალსადენის დაზიანება იწვევს ქონებრივ ზარალს.
- მაშინვე გამორთეთ ელექტრო ხელსაწყო, როცა ხელსაწყო ჩაიჭედება.

მოემზადეთ მაღალი ბრუნვითი რეაქციისთვის, რამაც შეიძლება გამოიწვიოს უკუცემა. ხელსაწყო, იჭედება, როდესაც:

- ელექტრო ხელსაწყო ზედმეტად გადაიტვირთება
- სამუშაო ადგილი სადმე ჩაიჭედება

- ელექტრო ხელსაწყო დაიჭირეთ მხოლოდ იზოლირებული დასაჭერი ზედაპირებით, როდესაც ახორციელებთ ოპერაციებს, როდესაც საჭრელი ხელსაწყო შეიძლება კონტაქტში შევიდეს ფარულ გაყვანილობასთან. საჭრელმა აქსესუარმა, რომელიც ეკონტაქტება ძაბვის ქვეშ მყოფ მავთულს, შესაძლოა ელექტრო ხელსაწყოს გაშიშვლებული ლითონის ნაწილებში დენის გადატანა და ოპერატორის ელექტრო შოკი გამოიწვიოს.
- დაიჭირეთ ელექტრო ხელსაწყო ხელით მტკიცედ. რეაქციის მაღალი ბრუნვის მომენტი შეიძლება მოკლე დროში წარმოიშვას ხრახნების ჩახრახვისას და მოხსნისას.
- გახადეთ სამუშაო ადგილი უსაფრთხო. დამჭერი მოწყობილობების ან გირაგების გამოყენებით დაჭერილი სამუშაო ადგილი უფრო დაცულია, ვიდრე ხელით.
- სამუშაო ადგილი გქონდეთ სუფთა. მასალების ნაზავი განსაკუთრებით საშიშია. მსუბუქი შენადნობების მტვერი შეიძლება დაიწვას ან აფეთქდეს.
- სანამ დადებთ, ყოველთვის დაელოდეთ, სანამ ელექტრო ხელსაწყო სრულად გაჩერდება, ხელსაწყოს დადებამ შეიძლება ჩაქედოს აპარატი და გამოიწვიოს ელექტრო ინსტრუმენტზე კონტროლის დაკარგვა.
- მოერიდეთ უნებლიე ჩართვას. დარწმუნდით, რომ ჩართვა/გამორთვის ღილაკი გამორთულია, სანამ ბატარეას ჩასვავთ. ელექტრო ხელსაწყოს ტარება თითოთ ჩართვა/გამორთვის ღილაკზე ან ბატარეის ჩასმა ელექტრო ხელსაწყოებში, რომლებიც ჩართულია გამოიწვევს ავარიას.
- არ გახსნათ ბატარეა. წრედის საშიშროება



დაიცავით ბატარეა სითბოსგან, მაგალითად მზის უწყვეტი

- დასხივებისა და ცეცხლისგან. ასეთ დროს არის აფეთქების საფრთხე.
- ბატარეის დაზიანებისა და არასათანადო გამოყენების შემთხვევაში შესაძლებელია ორთქლის გამოყოფა. გაანიავეთ, უზრუნველყავით სუფთა ჰაერით დაზარალებული და მიმართეთ სამედიცინო დახმარებას ჩვილების შემთხვევაში. ორთქლებმა შეიძლება გააღიზიანოს სასუნთქი სისტემა.
 - როდესაც ბატარეა დეფექტურია, სითხე შეიძლება გამოვიდეს და კონტაქტში

შევიდეს მიმდებარე კომპონენტებთან. შეამოწმეთ ნებისმიერი დეტალი. გაწმინდეთ ასეთი ნაწილები ან შეცვალეთ ისინი, საჭიროების შემთხვევაში.

ბატარეის დამტენი

- დაიცავით ბატარეის დამტენი წვიმისა და ტენისგან. წყლის შეღწევა ბატარეის დამტენში ზრდის ელექტროშოკის რისკს. □
- არ დატენოთ სხვა ბატარეები. ბატარეის დამტენი განკუთვნილია მხოლოდ ლითიუმ-იონური ბატარეების დასატენად ძაბვის ჩამოთვლილ დიაპაზონში. წინააღმდეგ შემთხვევაში არის ხანძრის და აფეთქების საფრთხე.
- შეინახეთ ბატარეის დამტენი სუფთად. დაბინძურებამ შეიძლება გამოიწვიოს ელექტროშოკის საფრთხე.
- ყოველ ჯერზე გამოყენებამდე შეამოწმეთ ბატარეის დამტენი, კაბელი და შტეკერი არ გამოიყენოთ ბატარეის დამტენი დეფექტების აღმოჩენისას. არ გახსნათ ბატარეის დამტენი და შეაკეთებინეთ იგი მხოლოდ კვალიფიციურ პერსონალს ორიგინალი სათადარიგო ნაწილების გამოყენებით. დაზიანებული ბატარეის დამტენები, კაბელები და შტეკერი ზრდის ელექტროშოკის რისკს.

არ გამოიყენოთ ბატარეის დამტენი ადვილად აალებად ზედაპირებზე (მაგ., ქალაღი, ტექსტილი და ა.შ.) ან აალებად გარემოში. დატენვის დროს ბატარეის დამტენის გაცხელების გამო არსებობს ხანძრის საშიშროება.



გაფრთხილება! ელექტროშოკის, აალების ან მძიმე პირადი დაზიანების შესამცირებლად, წაიკითხეთ და შეისწავლეთ ეს საოპერაციო ინსტრუქციის სახელმძღვანელო. ატარეთ სათვალე. არ ამოიღოთ, გახეხოთ ან გააცხელოთ 100°C-მდე და არ დაწვათ. გამოიყენება მხოლოდ სპეციალიზებული დამტენით.

ნუ გადაწვავთ, ნუ დაამოკლებთ მავთულს და ნუ ჩააგდებთ ცეცხლში. დატენვისას შიდა ტემპერატურა სასურველია იყოს 5-40°C. უფრთხილდით აფეთქებას ან წვას. მოათავსეთ ბატარეა ბავშვებისთვის მიუწვდომელ ადგილას. არ იხმაროთ ბატარეა როგორც ჩაქუჩი. შემთხვევითი მოკლე ჩართვა ან აფეთქება შეიძლება გამოწვეული იყოს ბატარეის დარტყმით.



წაიკითხეთ უსაფრთხოების ყველა გაფრთხილება და ყველა ინსტრუქცია.

გაფრთხილებებისა და ინსტრუქციების შეუსრულებლობამ შეიძლება გამოიწვიოს

ელექტრომოკი, ხანძარი და/ან სერიოზული დაზიანება.

დანიშნულებისამებრ გამოყენება

ხელსაწყო განკუთვნილია ხრახნების ჩასახრახნად და ამოსახრახნად, აგრეთვე ხის, ლითონის, კერამიკისა და პლასტმასის გასაბურღად.

ვიბრაციის გამოცხადებული ჯამური მნიშვნელობა გაზომილია სტანდარტული ტესტის მეთოდის შესაბამისად და შეიძლება გამოყენებულ იქნას ერთი ხელსაწყოს მეორესთან შესადარებლად. გამოცხადებული ვიბრაციის ჯამური მნიშვნელობა ასევე შეიძლება გამოყენებულ იქნას ექსპოზიციის წინასწარი შეფასებისას.

გაფრთხილება

ელექტრო ხელსაწყოს ფაქტობრივი გამოყენების დროს ვიბრაციის ემისია შეიძლება განსხვავდებოდეს დეკლარირებული ჯამური მნიშვნელობიდან, იმის მიხედვით, თუ როგორ გამოიყენება ინსტრუმენტი.

საჭიროა ოპერატორის დასაცავად უსაფრთხოების ზომების იდენტიფიცირება, რომლებიც ეფუძნება ექსპოზიციის შეფასებას გამოყენების რეალურ პირობებში (ოპერაციული ციკლის ყველა ნაწილის გათვალისწინებით, როგორცაა ხელსაწყოს გამორთვის დრო და როდის ჩაერთვება უმოქმედოდ, გარდა ჩართვის დროისა).

(შეამოწმეთ შესაბამისი ინფორმაცია ხმაურის და ვიბრაციის შესახებ)

ხმაური (შემოწმებულია EN 60745-1 და EN 60745-2-1 მიხედვით):




$L_{pA}=69dB(A)$; $L_{wA}=80 dB(A)$, $K=3dB(A)$



ვიბრაცია (შემოწმებულია EN 6045-1 და EN 60745-2-1 მიხედვით): $a_h= 1.069m/s^2$

$K=1.5m/s^2$

სიმბოლოები

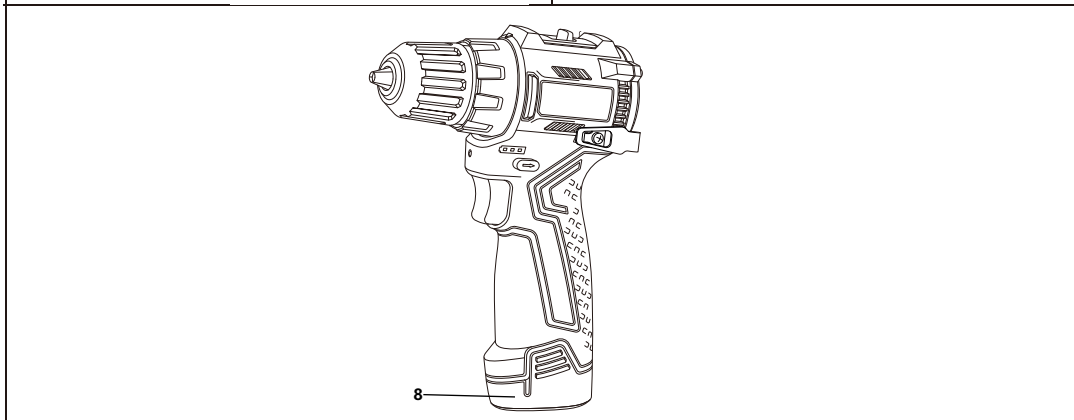
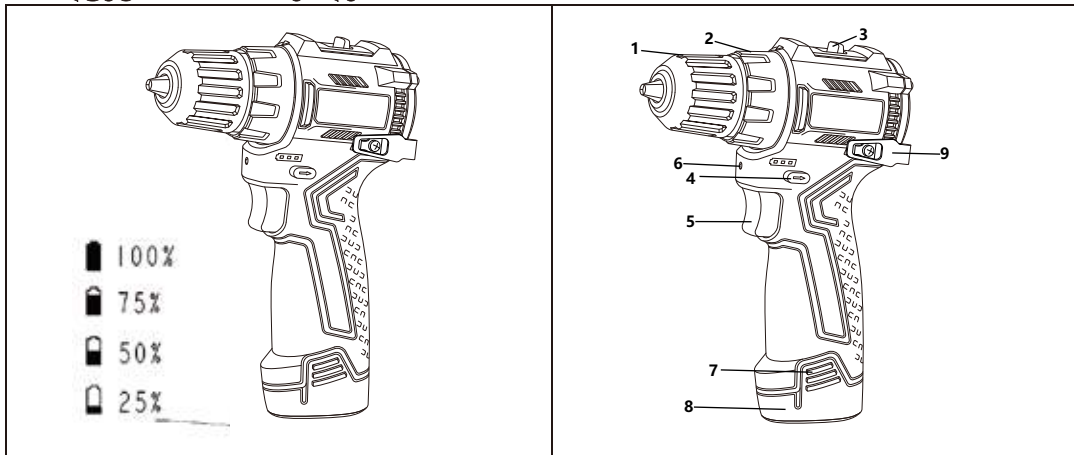
თქვენს ხელსაწყოს ფირფიტაზე შეიძლება იყოს სიმბოლოები. ეს წარმოადგენს მნიშვნელოვან ინფორმაციას პროდუქტის ან მისი გამოყენების ინსტრუქციების შესახებ.

	წაკითხეთ ინსტრუქციის სახელმძღვანელო
	ორმაგად იზოლირებული დამატებითი დაცვისთვის (დამტენი)
	ელექტრო ხელსაწყოს მუშაობისას გამოიყენეთ სმენის დამცავი.

	<p>ატარეთ თვალის დამცავი.</p>
	<p>ნარჩენი ელექტრო პროდუქტები არ უნდა გადაყაროთ საყოფაცხოვრებო ნარჩენებთან ერთად. გთხოვთ გადაამუშავოთ იქ, სადაც არის შესაბამისი ობიექტები. გადაამუშავების რჩევისთვის მიმართეთ თქვენს ადგილობრივ ხელისუფლებას ან საცალო ვაჭრობის წარმომადგენელს.</p>

III. პროდუქტის გაცნობა/აღწერა და ტექნიკური პარამეტრები

პროდუქტის მახასიათებლები




1. ფიქსატორი	გასაღების	2. ბრუნვის	წინასწარ	3. სიჩქარის ტრიგერი
--------------	-----------	------------	----------	---------------------

გარეშე	დაყენების რგოლი	
4.F/R ბერკეტი	5.ON/off გადამრთველი	6.LED
7. ბატარეის გათავისუფლების (ამოღების) ღილაკი	8.ბატარეა	9. ქამრის ბალთა

. პროდუქტის მახასიათებლების ნუმერაცია ეხება ელექტრო ხელსაწყოს გრაფიკულ გვერდზე მოცემულ ილუსტრაციას.

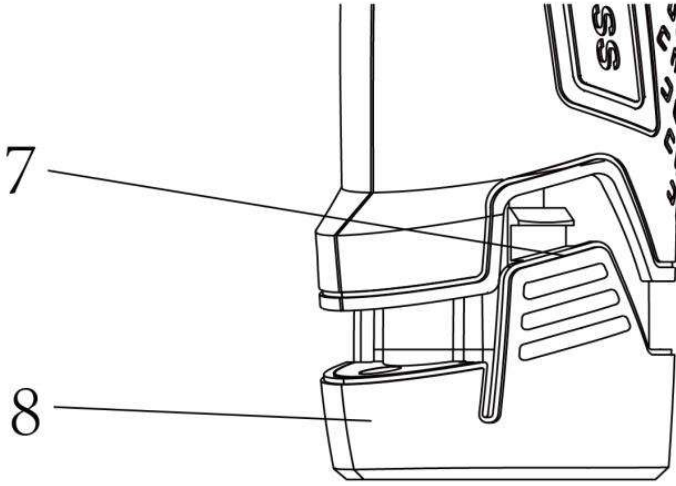
* ილუსტრირებული ან აღწერილი აქსესუარები არ შედის როგორც სტანდარტული მიწოდება

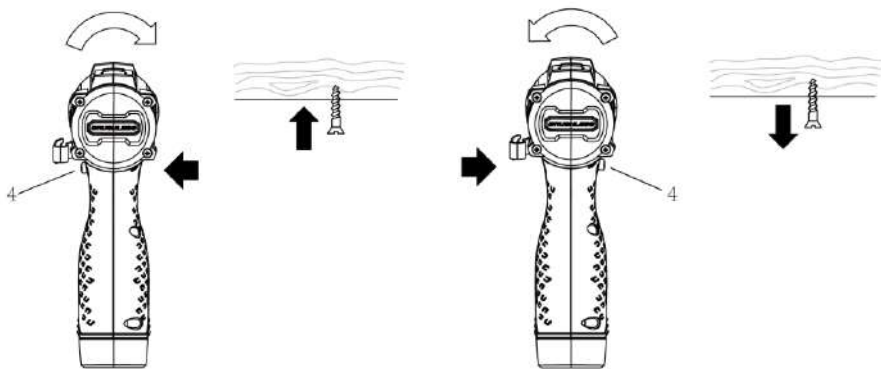
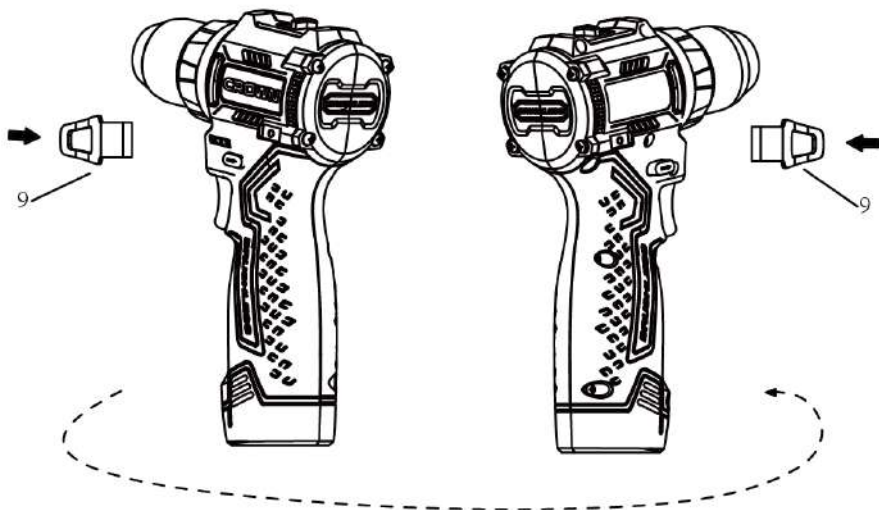
ტექნიკური მონაცემები

პროდუქტის მოდელის ნომერი		CT21129HX	CT21129HMX
ნომინალური ძაბვა		12	
სიჩქარე დატვირთვის გარეშე			
-პირველი სიჩქარე	r/min	0-420	
-მეორე სიჩქარე	r/min	0-1800	
ზემოქმედების სიხშირე			
მაქს. ბრუნვის მომენტი ხისტი/რბილი ჩახრახვნა ISO 5393 განაცხადის შესაბამისად	Nm	45/23	
მაქს. ბურღვის დია.			
- ფოლადი	mm	10	
-ხე	mm	36	
მაქს. ჩახრახვნის დია.	mm	8	
მილისის დამაგრების	mm	0.8-10	

დიაპაზონი		
საბურღი შპინდელის კუთხვილი	mm	3/8"
ბატარეის მხარდაჭერა	ნაკრების	027018 / 027083
ბატარეა		Li-ion
მწარმოებლურობა	Ah	2
დატენვის დრო	H	1/2
ტემპერატურის დიაპაზონი შეიძლება შეიცვალოს	°C	5-40
წონა	kg	0.88 0.91
შესაბამისობისი დამტენი		027512 / 027590
დამტენის შემაჯავლი ძაბვა		220-240V~ 50/60Hz / 110-240V~50/60Hz
გამომავალი ძაბვა	V	10.8-12
დატენვის დენი	A	1/2
უსაფრთხოების კლასი		II

კომპლექტი





ბატარეის დატენვა (იხ. სურათი A)

➤ გამოიყენეთ მხოლოდ ბატარეის ის დამტენები, რომლებიც ჩამოთვლილია აქსესუარების გვერდზე. მხოლოდ აღნიშნული ბატარეის დამტენები შეესაბამება თქვენი ელექტრო ხელსაწყოს ლითიუმ-იონურ ბატარეას.

შენიშვნა: ბატარეა მიეწოდება ნაწილობრივ დატვირთული. ბატარეის სრული სიმძლავრის უზრუნველსაყოფად, სრულად დატენეთ ბატარეა ბატარეის დამტენში, სანამ პირველად გამოიყენებთ ელექტრო ხელსაწყოს.

ლითიუმ-იონური ბატარეის დამუხტვა შესაძლებელია ნებისმიერ დროს მისი მომსახურების ვადის შემცირების გარეშე.

დატენვის პროცედურის შეწყვეტა არ აზიანებს ბატარეას.

ლითიუმ-იონური ბატარეა დაცულია ღრმა განმუხტვისგან "ელექტრონული უჯრედის დაცვის (ECP)" საშუალებით. როდესაც ბატარეა ცარიელია, მანქანა ითიშება დამცავი სქემის საშუალებით: ჩასმული ხელსაწყო აღარ ბრუნავს.



გაფრთხილება! არ გააგრძელოთ ჩართვა/გამორთვის ღილაკზე დაჭერა მას შემდეგ, რაც მანქანა ავტომატურად გამორთულია. ბატარეა შეიძლება დაზიანდეს. ამოიღეთ ბატარეა 8, დააჭირეთ განბლოკვის ღილაკს 7 და ამოიღეთ ბატარეა ქვემოდან. არავითარ შემთხვევაში არ გამოიყენოთ ძალა.

ბატარეა აღჭურვილია NTC ტემპერატურის კონტროლით, რომელიც დატენვის საშუალებას იძლევა მხოლოდ 5°C-დან 40°C-მდე ტემპერატურის დიაპაზონში. ამ გზით მიიღწევა ბატარეის ხანგრძლივი მომსახურების ვადა.

დააკვირდით განკარგვის შენიშვნებს.

ხელსაწყოს შეცვლა (იხ. სურათი B)

ელექტრო ხელსაწყოზე ნებისმიერი სამუშაოს დაწყებამდე (მაგ. მოვლა, ხელსაწყოს შეცვლა და ა.შ.), ასევე ტრანსპორტირებისა და შენახვის დროს, დააყენეთ ბრუნვის მიმართულების გადამრთველი ცენტრალურ პოზიციაზე. ჩართვა/გამორთვის ღილაკის უნებლიე ჩართვამ შეიძლება გამოიწვიოს დაზიანებები.

თუ ჩართვა/გამორთვის ღილაკი 7 არ არის დაჭერილი, საბურღი ღერო განბლოკილ მდგომარეობაშია, ხელსაწყოს გამოცვლისას უნდა დაიჭიროთ ① ჩამკეტის რგოლს ერთი ხელით და ② ჩამკეტის საფარს მეორე ხელით, შემდეგ გადააბრუნეთ ② ფიქსატორის საფარი ბრუნვის მიმართულებით, როგორც ისარი ფიქსატორის ქვეშ ფიგურაში B, სანამ ხელსაწყოს კარგად ჩასმა არ მოხერხდება.

თუ ② ფიქსატორის საფარს ატრიალებთ ბრუნვის მიმართულებით, როგორც ისარი ფიქსატორის ქვეშ ფიგურა B კბილები ფიქსატორში 1 დაიხურება

საბურღი ფიქსატორის შეცვლა

➤ ელექტრო ხელსაწყოზე ნებისმიერი სამუშაოს დაწყებამდე (მაგ. მოვლა, ხელსაწყოს შეცვლა და ა.შ.), ასევე ტრანსპორტირებისა და შენახვის დროს, დააყენეთ ბრუნვის მიმართულების ღილაკი ცენტრალურ პოზიციაზე. ჩართვა/გამორთვის ღილაკის უნებლიე ჩართვამ შეიძლება გამოიწვიოს დაზიანებები.

დამცავი ხრახნის ამოღება (იხ. სურათი C)

გასაღების გარეშე ფიქსატორი 1 დამაგრებულია დამცავი ხრახნით 13 საბურღი ღერმიდან უნებლიე მოშვებისგან დასაცავად. მთლიანად გახსენით ფიქსატორი გასაღების გარეშე 1 და გახსენით დამცავი ხრახნი 13 ბრუნვის მიმართულებით ①. გთხოვთ, გაითვალისწინოთ, რომ დამჭერ ხრახნს აქვს მარცხენა კუთხვილი.

საბურღი ფიქსატორის ამოღება (იხ. სურათი D)

მიამაგრეთ ექვსწახნაგა შლიცის გასაღების 14 მოკლე ბოლო გასაღების გარეშე ფიქსატორს 1.

მოათავსეთ მანქანა მდგრად ზედაპირზე (მაგ. სამუშაო მაგიდაზე). მყარად დაიჭირეთ მანქანა და გაათავისუფლეთ უგასაღები ფიქსატორი 1 ექვსწახნაგა შლიცის გასაღებით 14 ბრუნვის მიმართულებით ①. გაათავისუფლეთ მჭიდროდ მოჭერილი უგასაღებო ფიქსატორი ექვსწახნაგა შლიცის გასაღების გრძელი ბოლოს დახმარებით 14. მსუბუქი დარტყმა. ამოიღეთ ექვსწახნაგა შლიცის გასაღები უგასაღებო ფიქსატორიდან და მთლიანად გახსენით უგასაღები ფიქსატორი.

საბურღი ფიქსატორის დამონტაჟება (იხ. სურათი)

გასაღების გარეშე ფიქსატორი დამონტაჟებულა საპირისპირო თანმიმდევრობით.



საბურღი ხრახნის ფიქსატორი უნდა იყოს დამაგრებული დაჭიმვის ბრუნვით დაახლოებით 20 Nm.

გადაახვიეთ დამცავი ხრახნი 13 საათის საწინააღმდეგოდ გაღებულ უგასაღებო ფიქსატორის მიმართულებით.

დაჭიმვის ბრუნვის სიჩქარე დაახლოებით 4-5 Nm. ყოველთვის გამოიყენეთ ახალი დამცავი ხრახნი, რადგან კუთხვილი დაფარულია ძაფის ჩამკეტი ნაერთით, რომელიც კარგავს თავის ეფექტს მრავალჯერადი გამოყენების შემდეგ.

ქამრის ბალთის მოხსნა

დააწეით შესაფერისს ჯვარედინა ხრახნს, მოხსენით ქამრის ბალთის დასამაგრებელი ხრახნი, ამოიღეთ ქამრის ბალთა 9. ქამრის ბალთა შეიძლება გაიწიოს მარცხნივ ან მარჯვნივ.

მტვრის/ნატეხების ამოღება

➤ ისეთი მასალების მტვერი, როგორიცაა ტყვიის შემცველი საფარი, ზოგიერთი ხის სახეობა, მინერალები და ლითონი, შეიძლება საზიანო იყოს ადამიანის ჯანმრთელობისთვის. მტვრის შეხებამ ან ჩასუნთქვამ შეიძლება გამოიწვიოს ალერგიული რეაქციები და/ან გამოიწვიოს მომხმარებლის ან გარეშე პირების რესპირატორული ინფექციები.

ზოგიერთი მტვერი, როგორიცაა მუხის ან წიფლის მტვერი, განიხილება როგორც კანცეროგენი, განსაკუთრებით ხის დამუშავების დანამატებთან ერთად (ქრომატი, ხის კონსერვანტი). აზბესტის შემცველი მასალების დამუშავება შესაძლებელია მხოლოდ სპეციალისტების მიერ.

- უზრუნველყავით სამუშაო ადგილის კარგი ვენტილაცია.

- რეკომენდებულია P2 ფილტრის კლასის რესპირატორის ტარება.

დაიცავით თქვენი ქვეყნის შესაბამისი რეგულაციები დასამუშავებელი

მასალებთან მიმართებაში.

ფუნქციონირება

ფუნქციონირების დაწყება

ბატარეის ჩასმა

- გამოიყენეთ მხოლოდ ორიგინალი ამ ბრენდის ლითიუმ-იონური ბატარეები თქვენი ელექტრო ხელსაწყოს სახელწოდების ფირფიტაზე მითითებული ძაბვით. სხვა ბატარეების გამოყენებამ შეიძლება გამოიწვიოს დაზიანებები და გამოიწვიოს ხანძრის საშიშროება

შენიშვნა: მანქანისთვის შეუსაბამო ბატარეების გამოყენებამ შეიძლება გამოიწვიოს ელექტრო ხელსაწყოს გაუმართაობა ან დაზიანება. დააყენეთ ბრუნვის მიმართულების გადამრთველი 4 ცენტრალურ პოზიციაზე, რათა თავიდან აიცილოთ უნებლიე ჩართვა. ჩადეთ დამუხტული ბატარეა 8 სახელურში ისე, რომ იგრძნოთ მისი ჩასმა და მჭიდროდ ერგებოდეს სახელურს.

ბრუნვის მიმართულების შეცვლა

(იხილეთ სურათი F)

ბრუნვის მიმართულების შემცვლელი 4 გამოიყენება მანქანის ბრუნვის მიმართულების შესაცვლელად. ამასთანავე, ეს შეუძლებელია ჩართვა/გამორთვის 5 დილაკის ჩართვით.


მარჯვენა როტაცია: ხრახვისა და ჭანჭიკების ჩასახრახნად დააჭირეთ ბრუნვის მიმართულების გადამრთველს 4 მარცხნივ გაჩერებამდე.

მარცხნივ როტაცია: ხრახნებისა და ქანჩების მოსახსნელად და ამოსახრახნად, დააჭირეთ ბრუნვის მიმართულების გადამრთველს 4 მარჯვენა გაჩერებამდე.

ბრუნვის დაყენება

ბრუნვის წინასწარ დაყენების რგოლით 2, ბრუნვის საჭირო პარამეტრი შეიძლება წინასწარ იქნეს არჩეული 21+1 საფეხურები სწორი პარამეტრით, ჩამსვლელი ხელსაწყო ჩერდება, როგორც კი ხრახნები მასალაში ჩაეშვება ან დადგენილ

ბრუნვას მიაღწევს. უსაფრთხოების სამაგრი გამორთული  პოზიციაზეა

მაგალითად. ბურღვისთვის. აირჩიეთ უფრო მაღალი პარამეტრი  ან

გადართეთ სიმბოლოზე ხრახნების ამოხსნისას.

სიჩქარის შერჩევა, მექანიკური

- ამოქმედეთ სიჩქარის შერჩევის ბერკეტი 3 მხოლოდ მაშინ, როდესაც მანქანა

მთლიანად გაჩერებულია.

სიჩქარის ორი დიაპაზონის არჩევა შესაძლებელია სიჩქარის ტრიგერით 3

სიჩქარე L:

დაბალი სიჩქარის დიაპაზონი; ჩახრახნისთვის ან დიდი საბურღი დიამეტრით მუშაობისთვის.

სიციქარე H:

მაღალი სიჩქარის დიაპაზონი; მცირე საბურღი დიამეტრით მუშაობისთვის.

თუ სიჩქარის ტრიგერის 3 გადატრიალება გასაჩერებლად შეუძლებელია, მსუბუქად გადაატრიალეთ საბურღი ჩამკეტი.

ჩართვა და გამორთვა

ელექტრო ხელსაწყოს ჩასართავად დააჭირეთ ჩართვა/გამორთვის ღილაკს 5 და გააჩერეთ დაჭერილ მდგომარეობაში.

შუქი 6 ანათებს, როდესაც ჩართვა/გამორთვის ღილაკი 5 ოდნავ ან მთლიანად არის დაჭერილი და იძლევა სამუშაო ადგილის განათების საშუალებას არახელსაყრელი განათების პირობებში.

ელექტრო ხელსაწყოს გამორთვისთვის, გაათავისუფლეთ ჩართვის/გამორთვის ღილაკი 5.

სიჩქარის რეგულირება

ელექტრო ხელსაწყოს ჩამრთველის სიჩქარის რეგულირება შესაძლებელია იმისდა მიხედვით, თუ რამდენად არის დაჭერილი ჩართვა/გამორთვის ღილაკი 5. მსუბუქი წნევით დაჭერა ჩართვა/გამორთვის ღილაკზე 5 იწვევს დაბალი ბრუნვის სიჩქარეს. გადამრთველზე შემდგომი ზეწოლა იწვევს სიჩქარის ზრდას.

გამუდმებითი მუხრუჭი

როდესაც ჩართვა/გამორთვის ღილაკი 5 გაათავისუფლდება, ფიქსატორი ჩერდება, რაც ხელს უშლის ხელსაწყოს ჩართვას.

ხრახნებით მუშაობისას, დაელოდეთ სანამ ხრახნი არ ჩაიხრახნება მასალაში და შემდეგ გაათავისუფლეთ ჩართვის/გამორთვის ღილაკი 5. ამით ხრახნის თავი არ შეაღწევს მასალის სიღმეში.

ქამრის ზალთა

ქამრის ზალთით 9, მანქანა შეიძლება დაკიდოთ ქამარზე. ასეთ დროს მომხმარებელს აქვს ორივე ხელი თავისუფალი და მანქანა ყოველთვის ხელთ არის.

ტემპერატურაზე დამოკიდებული გადატვირთვისაგან დაცვა

დანიშნულებისამებრ გამოყენებისას ელექტრო ხელსაწყო არ შეიძლება დაექვემდებაროს გადატვირთვას. როდესაც დატვირთვა ძალიან მაღალია ან ბატარეის დასაშვები ტემპერატურის დიაპაზონი 0-70°C გადაჭარბებულია, სიჩქარე

მცირდება. ელექტრო ხელსაწყო არ იმუშავებს ბატარეის დასაშვებ ტემპერატურამდე.

სამუშაო ინსტრუქციები

➤ ელექტრო ხელსაწყოზე ხრახნი დაამაგრეთ მხოლოდ მაშინ, როცა ის გამორთულია. მბრუნავი ხელსაწყოს ჩანართები შეიძლება ჩამოცურდეს.

ძრევები

დაბალ სიჩქარეზე მუშაობის უფრო გრძელი პერიოდის შემდეგ, ნება მიეცით მანქანას გაცივდეს, ამუშავეთ იგი დაახლოებით 3 წუთის განმავლობაში მაქსიმალური სიჩქარით დატვირთვის გარეშე.

მეტალში ბურღვისთვის გამოიყენეთ მხოლოდ სრულყოფილად მახვილი HSS საბურღი (HSS=მაღალსიჩქარიანი ფოლადი).

უფრო დიდი, გრძელი ხვრელების გაბურღვამდე მყარ მასალებში, სასურველია წინასწარ გაბურღოთ საპილოტე ხვრელის გული კუთხვილის დიამეტრით ხრახნის სიგრძის დაახლოებით 2/3-მდე



ნარჩენი რისკები

მაშინაც კი, როდესაც ელექტრო ხელსაწყო გამოიყენება დადგენილი წესებით, შეუძლებელია ყველა ნარჩენი რისკის ფაქტორის აღმოფხვრა. შემდეგი საფრთხეები შეიძლება წარმოიშვას ელექტრო ხელსაწყოს კონსტრუქციასა და დიზაინთან დაკავშირებით:

1. ფილტვების დაზიანება, თუ ეფექტური მტვრის ნიღაბი არ გამოიყენება.
2. სმენის დაზიანება, თუ სმენის ეფექტურ დამცავს არ იყენებთ.

ჯანმრთელობის დაზიანება, რომელიც გამოწვეულია ვიბრაციით, თუ ელექტრო ხელსაწყო გამოიყენება ხანგრძლივი დროის განმავლობაში ან სათანადოდ არ არის მართული და სათანადოდ შენახული

გაფრთხილება! ეს მოწყობილობა მუშაობის დროს აწარმოებს ელექტრომაგნიტურ ველს. ამ ველმა გარკვეულ პირობებში შეიძლება ხელი შეუშალოს აქტიურ ან პასიურ სამედიცინო იმპლანტანტებს. სერიოზული ან ფატალური დაზიანების რისკის შესამცირებლად, სამედიცინო იმპლანტის მქონე პირებს ვურჩევთ, ამ აპარატის მუშაობამდე გაიარონ კონსულტაცია ექიმთან და სამედიცინო იმპლანტის მწარმოებელთან.

თქვენი უსაფრთხოებისთვის



წიკითხეთ უსაფრთხოების ყველა გაფრთხილება და ყველა ინსტრუქცია. გაფრთხილებებისა და ინსტრუქციების შეუსრულებლობამ შეიძლება გამოიწვიოს ელექტროშოკი, ხანძარი და/ან სერიოზული დაზიანება.



გაფრთხილება! არ იმუშაოთ დამუხტვის სტატუსის პირობებში!

ბატარეის მოვლის ინსტრუქცია

1. დროულად დამუხტეთ, სანამ ბატარეა მთლიანად ამოიწურება, გააჩერეთ მუშაობა დაბალ სიმძლავრეზე და დაუყოვნებლივ დატენეთ.
2. არ დატენოთ ზედმეტად, როდესაც ბატარეა უკვე დამუხტულია, წინააღმდეგ შემთხვევაში ეს შეამცირებს სიცოცხლის ხანგრძლივობას.
3. დატენეთ ბატარეა ოთახის ტემპერატურაზე 5°C-40°C (41°F-104°F)
4. დამუხტეთ ბატარეა ყოველ ექვს თვეში ერთხელ თუკი დიდი ხნის განმავლობაში არ ამუშავებთ.

ოპერაციული ინსტრუქციები

● დამტენი ● ბატარეა

ბატარეის დატენვა

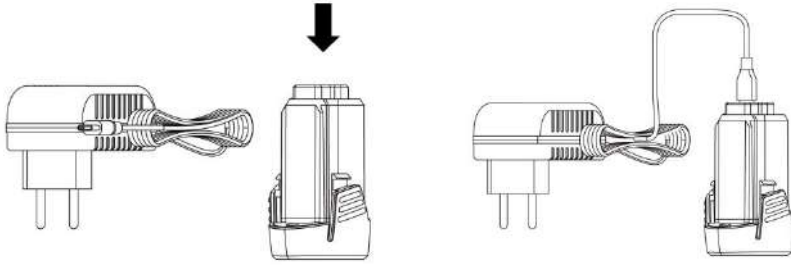
გთხოვთ დატენოთ შიდა სივრცეში.

ბატარეა მიეწოდება ნაწილობრივ დატვირთული. ბატარეის სრული სიმძლავრის უზრუნველსაყოფად, სრულად დატენეთ ბატარეა ბატარეის დამტენში, ელექტრო ხელსაწყოს პირველად გამოიყენებამდე.

სრულად დაცლილი ბატარეის დატენვას 5-40°C ტემპერატურაზე 60 წუთი დასჭირდება.

- 1) გთხოვთ გამოიყენოთ მხოლოდ შესაბამისი დამტენი.
- 2) გთხოვთ, შეაერთოთ ადაპტერი დამტენთან, სანამ ადაპტერს როზეტს მიუერთებთ.
- 3) დარწმუნდით, რომ ბატარეის გასაღები ჩასმულია ჭრილში.
- 4) ჩადეთ ბატარეა დამტენის ბუდეში.
- 5) ან ჩაამაგრეთ მუდმივი დენის ადაპტერის შტეკერი პირდაპირ ბატარეაში.
- 6) ჭკვიან დამტენს შეუძლია შეაფასოს ბატარეის დატენვის მდგომარეობა.

დამტენის მაჩვენებელი ნათურები



	მითითების ნათურა	დატენვის საჩვენებელი ნათურა	მეთოდი
მოდელი			
ლოდინის რეჟიმი		მწვანე	ჩართეთ
ბატარეის უკმარისობა		მწვანე	ბატარეის შეცვლა
ბატარეის გადაჭარბებული ტემპერატურა		მწვანე	დატენვა ავტომატურად განახლდება, როდესაც ტემპერატურა ნორმალურ მდგომარეობას დაუბრუნდება.
ნორმალური დამუხტვა		წითელი	იტენება
სრული დატენვა		მწვანე	დაასრულეთ დატენვა



გაფრთხილება! ეს დეტენი შეიძლება გამოყენებულიქნას მხოლოდ ამ პროდუქტის მწარმოებლის მიერ მიწოდებულ 027083-12V ბატარეის დასატენად და აკრძალულია ნებისმიერი სხვა მოწყობილობისა და ინსტრუმენტის დატენვა, რომლებსაც აქვთ TYPE-C შესაერთებელი (მაგალითად, მაგრა მარა მხოლოდ, მობილური ტელეფონები, კომპიუტერები, პლანშეტები და .შ.).

საწყისი ოპერაცია

შემოწმეთ ქსელის ძაბვა სწორია თუ არა: დენის წყაროს ძაბვა უნდა შეესაბამებოდეს ძაბვას, რომელიც მითითებულია მოწყობილობის სახელწოდების ფირფიტაზე.

დატენვის პროცედურა

დატენვის პროცესი იწყება როგორც კი შტეკერი შეუერთდება დენის წყაროს-შტეფსელს და ბატარეა ჩასმული იქნება დამტენის განყოფილებაში.

ინტელექტუალური დატენვის პროცესი ავტომატურად ამოიცნობს ბატარეის დატენვის მდგომარეობას, რაც საშუალებას აძლევს მას დამუხტოს ოპტიმალური დატენვის დენით, რაც დამოკიდებულია დატენვისას ბატარეის ძაბვაზე.

ეს იცავს ბატარეას, რომელიც ყოველთვის რჩება სრულად დამუხტული შენახვის დროს დამტენში შენახვისას.

- დეფექტური როზეტი, კაბელი ან დამტენი.

მაკორექტირებელი ღონისძიება: შეამოწმეთ ქსელის ძაბვა და, საჭიროების შემთხვევაში, გადაიტანეთ დამტენი კლიენტთა მომსახურების უფლებამოსილ ცენტრში Crown-ის ელექტრო ხელსაწყოებისთვის, რათა შესაძლებელი იყოს მისი შემოწმება.

პრაქტიკული რჩევა

■ უწყვეტი ან რამდენიმე განმეორებითი დატენვის ციკლის შემდეგ, დამტენი შეიძლება გახურდეს.

თუმცა, ტემპერატურის ეს მატება არ მიუთითებს აპარატის ტექნიკურ დეფექტზე.

■ მნიშვნელოვნად შემცირებული სამუშაო პერიოდი დატენვის შემდომ მიუთითებს იმაზე, რომ ბატარეა უნდა შეიცვალოს.

მოვლა და დასუფთავება

ყოველთვის სუფთად გქონდეთ მოწყობილობა და ვენტილაციის ღიობები (სლოტები).

თუკი მიუხედავად ხელსაწყოს დამზადებისა და ტესტირების დროს გამოჩენილი სიფრთხილისა, მოწყობილობას აქვს პრობლემები, მიიტანეთ იგი მხოლოდ Crown-ის მომხმარებელთა მომსახურების ცენტრში ელექტრო ხელსაწყოების შესაკეთებლად.

განკარგვა

ბატარეის დამტენები, აქსესუარები და შეფუთვა უნდა იყოს დახარისხებული ეკოლოგიური გადამუშავებისთვის.

გაყიდვების შემდგომი მომსახურება

Zhejiang Gosail Trading Co.,Ltd.

No. 636, Jiufeng street Jinhua city, Zhejiang, China.

www.crown-tools.com

ორიგინალი ადგილი: Jinhua Zhejiang

მომსახურების ცხელი ხაზი: 400-883-2658 (ჩინეთი)

I. Жалпы қауіпсіздік нұсқаулары



ЕСКЕРТУ - Жарақат алу қаупін азайту үшін пайдаланушы нұсқаулықты

оқуы керек!

Электр құралының жалпы қауіпсіздік ескертулері



ЕСКЕРТУ! Барлық қауіпсіздік ескертулерін және барлық нұсқауларды

оқып шығыңыз.

Ескертулер мен нұсқауларды орындамау электр тогының соғуына, өртке және/немесе ауыр жарақатқа әкелуі мүмкін.

Қажет кезде қарап пайдалану үшін осы нұсқаулықты жақсы сақтаңыз.

Төменде айтылған барлық ескертулердегі «Електр құралы» термині электр желісіне қосылған (сымды) электр құралын немесе аккумулятор жинағындағы (сымсыз) электр құралын білдіреді.

1) Жұмыс орны

а) жұмыс орнын таза және жарық ұстаңыз. Ретсіз және қараңғы орын апаттарға әкелуі мүмкін.

б) жанғыш сұйықтық, газ немесе шаң тозанды орта сияқты жарылыс қаупі бар ортада электр құралдарын пайдаланбаңыз. Електр құралдарының ұшқындары шаңды немесе газды тұтандыруы мүмкін.

с) балаларды және жұмыс басында тамашалаушыларды жұмыс істейтін электр құралдарына жақындатпаңыз. Алаңдау сіздің назарыңызды шашуы мүмкін.

2) электр қауіпсіздігі

а) электр құралының ашасы рөзеткаға сәйкес келуі керек. Штепселді ешбір жағдайда өзгертуге болмайды. Жерге қосуды қажет ететін электр құралдары үшін әдептер штепселдерін пайдаланбаңыз. Өзгертілмеген аша мен сәйкес рөзеткә электр төгінің соғу қаупын азайтады.

б) жерге тұйықталған беттермен адамның жанасуын болдырмаңыз. Құбырлар, жылытқыштар және тоңазытқыш сияқтылар. Егер жермен жанассаңыз, электр төгінің соғу қаупі артады.

с) электр құралдарын жаңбырға немесе ылғалға ұшыратпаңыз. Електр құралына су кірсе электр төгінің соғу қаупін артады.

д) сымдарды дұрыс пайдаланыңыз. Ешқашан электр құралдарын сымдардан ұстап алып жүрмеңіз, тартпаңыз немесе рөзеткәдән суырмаңыз. Електр құралдарын қызудан, майдан,

өткір жиектерден немесе қозғалатын бөліктерден алыс ұстаңыз. Зақымдалған немесе шатасып қалған сымдар электр төгінің соғу қауыпін арттырады.

e) электр құралын сыртта пайдаланған кезде, сыртта пайдалануға жарамды сыртқы сымды пайдаланыңыз. Сыртта қолдануға жарамды сымдар электр төгінің соғу қауыпін азайтады.

f) егер электр құралын сөзсіз ылғалды ортада пайдалану керек болса, қалдық токтан қорғағышты (RCD) пайдалану керек. RCD пайдалану электр төгінің соғу қауыпін азайтады.

3) Жеке қауіпсіздік

a) сергек болыңыз, не істеп жатқаныңызға назар аударыңыз және электр құралын пайдаланған кезде сергек болыңыз. Шаршаған кезде, есірткі, әлкөгөл тұтынғанда немесе емделіп жүрген кезде электр құралын ешқашан пайдаланбаңыз. Электр құралын пайдалану кезінде аландаушылық ауыр жарақатқа әкелуі мүмкін.

b) қауыпсыздық құралдарын қолданыңыз. Өрдәйім көзілдірік киіңіз. Сәйкес жағдайларда шаңнан қорғайтын мәскә, тайғақ емес қауіпсіздік аяқ киімдері, қауіпсіздік қалпағы, есту қабылетін қорғайтын таққыш т. Б. Сияқты қауіпсіздік құралдарын қолдану жарақаттануды азайтуы мүмкін.

c) кенеттен оталуынан сақтаныңыз. Қуат көзіне немесе аккумулятор жинағына қосу, құралды көтеру немесе тасымалдау алдында қосқыштың өшірулі күйінде екеніне көз жеткізіңіз. Төкка қосулы қосқышқа саусақты қою немесе қосқыш қосулы кезде ашаны қосу сізге қатер тондыруы мүмкін.

d) электр құралын қосар алдында барлық реттеу кілттерін немесе тұтқаны алып тастаңыз. Электр құралының айналмалы бөліктерінде қалған кілт немесе тұтқа адам жарақатына әкелуі мүмкін.

e) қолыңызды тым алыс созбаңыз. Өрқашан аяқтарыңыз бен дененіздің тепе-теңдігіне назар аударыңыз. Бұл күтпеген жағдайларда электр құралын жақсы басқаруға мүмкіндік береді.

f) сәйкес киіну. Кең киім немесе сәндік бұйымдарын тақпаңыз. Шашыңызды, киіміңізді және жеңіңізді қозғалатын бөліктерден алыс ұстаңыз. Кең киім, сәндік бұйымдар немесе ұзын шаш қозғалатын бөліктерге түсіп кетуі мүмкін.

g) егер құрылғы ұнтақтарды тазарту және шаң жинау жабдығына қосу үшін қарастырылған болса, олардың жақсы жалғанғанын және дұрыс пайдаланылғанын тексеріңіз. Бұл құрылғыларды пайдалану қоқыс қауыпін азайтады.

4) Электр құралын пайдалану және сақтық шаралары

a) электр құралдарын албаты орындарға қолданбаңыз, электр құралдарын мақсатқа сәйкес пайдаланыңыз. Тиысты Дизайн рейтингі бар электр құралын таңдау жұмысыңызды тыйімдірек және қауыпсіз етеді.

b) егер айырып қосқыш құралды оталдыра алмаса немесе өшіре алмаса, электр құралын пайдаланбаңыз. Айрып қосқыш арқылы басқаруға болмайтын электр құралдары қауіпті

және оларды жөндеу қажет.

с) Кез келген реттеулер, керек-жарақтарды ауыстыру немесе электр құралын сақтау алдында қуат ашасын және/немесе аккумулятор жинағын электр құралынан ажыратыңыз. Бұл алдын алу қауіпсіздік шарасы электр құралын кездейсоқ іске қосу қаупін азайтады.

д) бос тұрған электр құралдарын балалардың қолы жетпейтін жерде сақтаңыз және электр құралдарымен таныс емес немесе осы нұсқауларды түсінбейтін адамдардың электр құралдарын басқаруына жол бермеңіз. Электр құралдары тәрбиеленбеген пайдаланушылардың қолында қауіпті.

е) Электр құралдарына техникалық қызмет көрсету. Электр құралының жұмысына әсер етуі мүмкін қозғалмалы бөліктердің, сынған бөліктердің және кез келген басқа жағдайлардың тураланбағанын немесе кептелуін тексеріңіз. Зақымдалған жағдайда электр құралын қолданар алдында жөндеңіз. Көптеген апаттар электр құралдарының дұрыс пайдаланбауынан болады.

ғ) кесетін құралдарды өткір және таза ұстаңыз. Өткір, жұзы жақсы ұсталған пышақтардың кептеліп қалуы қаупі аз және басқару оңай.

г) жұмыс жағдайлары мен орындалатын жұмыстарды ескере отырып, пайдалану жөніндегі нұсқаулықта және қолданылатын электр құралының белгілі бір түріне сәйкес электр құралдарын, керек-жарақтарды және құрал биттерін және т. б. Пайдаланыңыз. Талаптарға сәйкес келмейтін жұмыстарды орындау үшін электр құралдарын пайдалану қауіпті жағдайға әкелуі мүмкін.

5) Бәтәрейәлі құралды пайдалану және сақтық шаралары

а) зарядтау үшін зауыттық зарядтағышты пайдаланыңыз. Бір зарядтағыш бәтәрейә жинағының бір түрімен пайдаланылады және басқа аккумулятор жинақтарымен пайдаланған кезде өрт қаупі бар.

б) бәтәрейә жинақтары сәйкес келетін электр құралдарын ғана пайдаланыңыз. Басқа бәтәрейә жинақтарын пайдалану зақым келтіруі және өрт қаупіне әкелуі мүмкін.

с) бәтәрейә жинағы пайдаланбай бос тұрғанда, бір ұшын екіншісіне қосуға жол бермеу үшін оны қағаз қыстырғыштар, тыйындар, кілттер, бұрандалар немесе басқа кішкентәй метал заттардан аулақ ұстау керек. Бәтәрейә терминалдарындағы қысқа тұйықталу күйдіруі немесе орт шығаруы мүмкін.

д) құрылғыны албаты пайдаланғанда бәтәрейәдән сұйықтық төгілуі мүмкін ; оған жанасудан аулақ болыңыз. Кездейсоқ тиіп кетсе, сумен шайыңыз. Көзіңізге сұйықтық кірсе, медитсинәлық көмекке жүгініңіз. Бәтәрейәдән төгілген сұйықтық шырытуы немесе күйдіруі мүмкін.

б) Қызмет

а) Электр құралына тек бірдей қосалқы бөлшектерді қолданып, білікті жөндеушіге қызмет көрсетіңіз. Бұл электр құралының қауіпсіздігін қамтамасыз етеді.

II. Сымсыз бұрғыларға арналған арнайы қауіпсіздік ескертулері

Сымсыз бұрғыларға арналған арнайы қауіпсіздік ескертулері

- Кесетін құрал жасырын сымдарға немесе өз сымдарына тиюі мүмкін операцияларды орындаған кезде электр құралын оқшауланған ұстағыш бетімен ұстаңыз. «Тоқты» сымдарға тиетін кескіш керек-жарақтар электр құралының ашық металл бөліктеріне ток өткізіп, операторды ток соғуы мүмкін.
- Жұмыс аймағында жасырын инженерлік желілердің бар-жоғын анықтау үшін сәйкес детекторды пайдаланыңыз немесе көмек алу үшін жергілікті коммуналдық компанияға хабарласыңыз. Электр сымдарымен жанасу өртке және электр тогының соғуына әкелуі мүмкін. Газ құбырларының зақымдануы жарылысқа әкелуі мүмкін. Су құбырларының енуі мүліктің бұзылуына әкелуі мүмкін.
- Құралдың кірістіргіші кептеліп қалғанда, электр құралын дереу өшіріңіз. Кері сокқы тудыруы мүмкін жоғары реакция моментіне дайын болыңыз. Құралдың кірістіруі келесі жағдайларда тұрып қалады:
 - Қорек көзі де шамадан тыс жүктелуге бейім немесе
 - Ол жұмыс орнында тұрып қалды
- Кесетін құрал жасырын сымдарға тиіп кетуі мүмкін операцияларды орындаған кезде электр құралын тек оқшауланған ұстағыш беттерінен ұстаңыз. «Тоқты» сыммен жанасу құралдың ашық металл бөліктерін ток өткізіп, операторды сокқыға түсіруі мүмкін.
- Электр құралын мықтап ұстаңыз. Бұрандаларды қатайту және босату кезінде қысқа уақыт ішінде жоғары реакция моменттері пайда болуы мүмкін.
- Тұрақты жұмыс орны. Қысқыш құрылғылармен немесе қолмен қысылған жұмыс орындары қолмен жұмыс істеуге қарағанда қауіпсіз.
- Жұмыс орнын таза ұстаңыз. Материалдардың қоспалары әсіресе қауіпті. Жеңіл қорытпалардағы шаң жануы немесе жарылуы мүмкін.
- Электр құралын қояр алдында оның толық тоқтағанын күтіңіз. Құралдың кірістіргіші тұрып қалуы және электр құралын басқаруды жоғалтуы мүмкін.
- Кездейсоқ ашуға жол бермеңіз. Батарея жинағын салмас бұрын қосу/өшіру қосқышы өшірулі күйде екеніне көз жеткізіңіз. Электр құралын саусағыңызбен қосу/өшіргіште ұстамаңыз немесе апат болған жағдайда батарея жинағын

қосқышы бар электр құралына салмаңыз.

- Батареяны ашпаңыз. Тізбектің қауіптілігі



Батареяны жоғары температурадан (мысалы, тұрақты күн сәулесінен және өрт көздерінен) қорғаңыз. Жарылыс қаупі бар.

- Батарея зақымдалған немесе дұрыс пайдаланылмаса, бу шығуы мүмкін. Таза ауамен қамтамасыз етіңіз және өзіңізді нашар сезінсеңіз, медициналық көмекке жүгініңіз. Бу тыныс алу жүйесін тітіркендіруі мүмкін.
- Батарея істен шыққан кезде сұйықтық ағып, көршілес құрамдас бөліктерге тиюі мүмкін. Сәйкес бөліктерді тексеріңіз. Бұл бөліктерді тазалаңыз немесе қажетінше ауыстырыңыз.

Батарея зарядтағыш

- Зарядтау құрылғысын жаңбыр мен ылғалдан қорғаңыз. Батарея зарядтағышына су ағып кетсе, электр тогының соғу қаупін арттырады. □
- Басқа батареяларды зарядтамаңыз. Аккумуляторды зарядтау құрылғысы литий-ионды батареяларды аталған кернеу диапазонында зарядтау үшін ғана жарамды. Әйтпесе, өрт және жарылыс қаупі бар.
- Зарядтағышты таза ұстаңыз. Ластану электр тогының соғу қаупін тудыруы мүмкін.
- Әр қолданар алдында батарея зарядтағышын, кабельдерді және ашаларды тексеріңіз. Ақаулық анықталған кезде батарея зарядтағышты пайдаланбаңыз. Зарядтау құрылғысын өзіңіз ашпаңыз, жөндеуді тек білікті мамандар түпнұсқа қосалқы бөлшектерді пайдалана отырып жүргізе алады. Зақымдалған батарея зарядтағыштары, кабельдер және ашалар электр тогының соғу қаупін арттырады.
- Зарядтау құрылғысын жанғыш беттерде (мысалы, қағаз, тоқыма және т.б.) немесе жанғыш ортада қолданбаңыз. Зарядтау кезінде батарея зарядтағыш қызып, өрт қаупін тудырады.



ЕСКЕРТУ! Электр тогының соғуы, өрт немесе ауыр жарақат алу қаупін азайту үшін осы пайдалану нұсқауларының нұсқаулығын оқып, түсініңіз. Қауіпсіздік көзілдірігін киіңіз. Бөлшектеменіз, ұсақтамаңыз немесе 100°C дейін қыздырмаңыз немесе өртеңіз. Тек арнайы зарядтағыштарды пайдаланыңыз.

Тізбекті қысқа тұйықталмаңыз немесе оны отқа тастамаңыз. Зарядтау кезінде ең

жақсы ішкі температура 5-40°C. Жарылыстан немесе жанудан сақ болыңыз. Батареяларды балалардың қолы жетпейтін жерде сақтаңыз. Батарея жинағын балға ретінде пайдаланбаңыз, батареяны соғу кездейсоқ қысқа тұйықталуға немесе жарылысқа әкелуі мүмкін.



Барлық қауіпсіздік ескертулерін және барлық нұсқауларды оқыңыз.

Ескертулер мен нұсқауларды орындамау электр тогының соғуына, өртке және/немесе ауыр жарақатқа әкелуі мүмкін.

Күтілетін пайдалану

Бұл құрал ағаштан, металдан, керамикадан және пластмассадан бұрандаларды бұрғылау және бұрғылау үшін қолданылады.

Мәлімделген жалпы діріл мәні стандартты сынақ әдістеріне сәйкес өлшенеді және оны бір құралды екіншісімен салыстыру үшін пайдалануға болады. Жарияланған дірілдің жалпы мәнін экспозицияны бастапқы бағалау үшін де пайдалануға болады.

Ескерту

Электр құралын нақты пайдалану кезіндегі діріл шығарулары құралдың қалай пайдаланылғанына байланысты көрсетілген жалпы мәндерден өзгеше болуы мүмкін.

Нақты пайдалану жағдайларында әсер етуді бағалауға негізделген операторды қорғау үшін қауіпсіздік шараларын анықтау қажет (жұмыс циклінің барлық бөліктерін, мысалы, құралдың өшіру уақыты мен бос тұру уақыты, қосымша іске қосу уақытына дейін).

(Шу мен діріл туралы ақпаратты тексеріңіз)

Шу (EN 60745-1 және EN 60745-2-1 сәйкес сыналған):

$L_{pA}=69\text{dB(A)}$; $L_{wA}=80\text{dB(A)}$, $K=3\text{dB(A)}$





Діріл (EN 6045-1 және EN 60745-2-1 сәйкес сыналған): $a_h= 1.069\text{m/s}^2$

$K=1.5\text{m/s}^2$

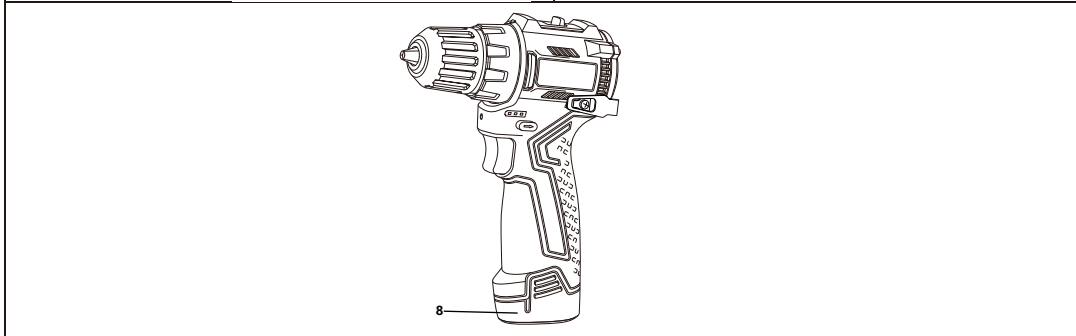
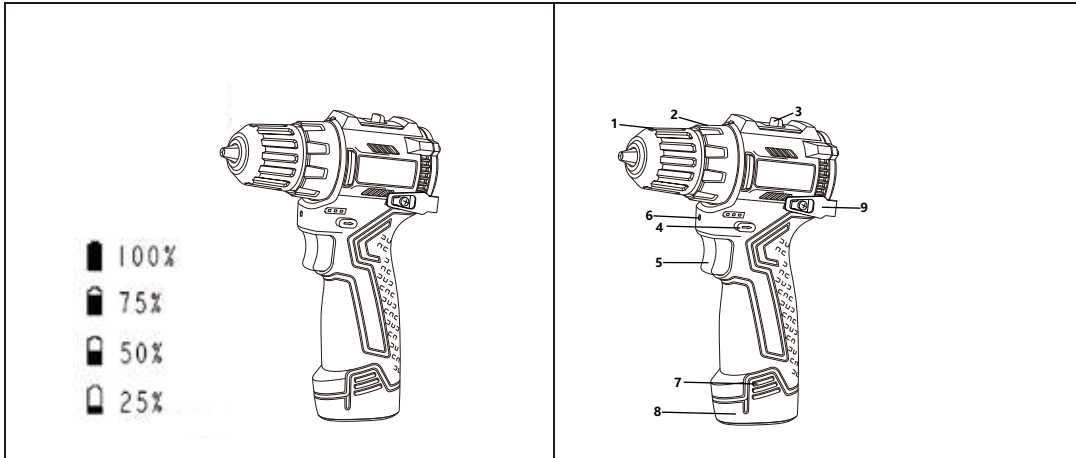
Белгілер

Таңба құралдағы тақтайшада пайда болуы мүмкін. Бұл белгілер өнім немесе пайдалану нұсқаулары туралы маңызды ақпаратты білдіреді.

	Нұсқауларды оқыңыз
	Қосымша қорғаныс үшін қос оқшаулау (зарядтағыш)

	<p>Электр құралдарын пайдаланған кезде құлаққапты киіңіз.</p>
	<p>Қауіпсіздік көзілдірігін киіңіз.</p>
 	<p>Электр өнімдерінің қалдықтарын тұрмыстық қалдықтармен бірге тастауға болмайды.</p> <p>Қайта өңдеу орындары бар жерде қайта өңдеуді өтінеміз.</p> <p>Қайта өңдеу бойынша ұсыныстар алу үшін жергілікті үкіметке немесе сатушыға хабарласыңыз</p>

III. Өнімді енгізу/сипаттама және техникалық параметрлері




1. Кілтсіз патрон	2. Айналдырғыш моментті алдын ала орнату сақинасы	3. Жылдамдық триггер
4. F/R тұтқасы	5. ҚОСУ/өшіру қосқышы	6. Жарық диодты

7. Батарейаны босату түймесі	8. Батарея	9. Белдік ілгегі
------------------------------	------------	------------------

Өнім мүмкіндіктерінің нөмірлері графикалық беттегі электр құралының суретіне сілтеме жасайды.

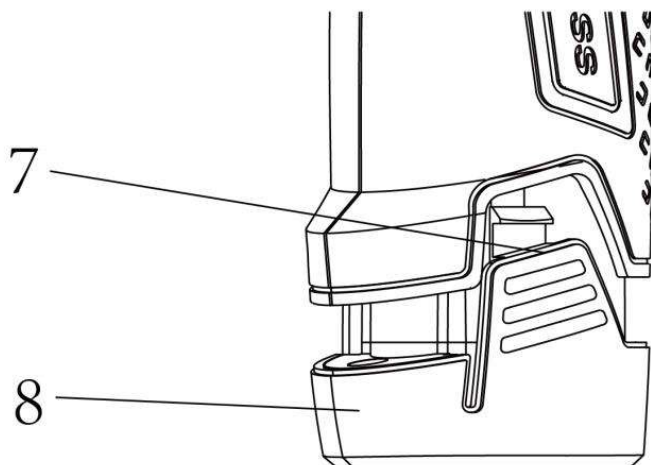
***Суреттелген немесе сипатталған керек-жарақтар стандартты жеткізілімге кірмейді.**

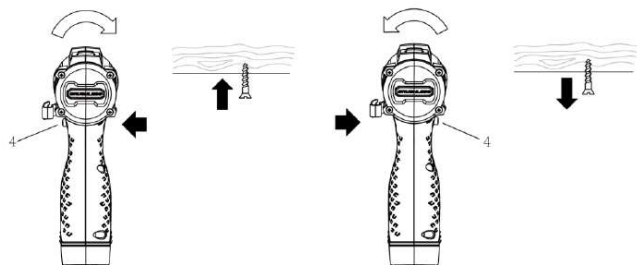
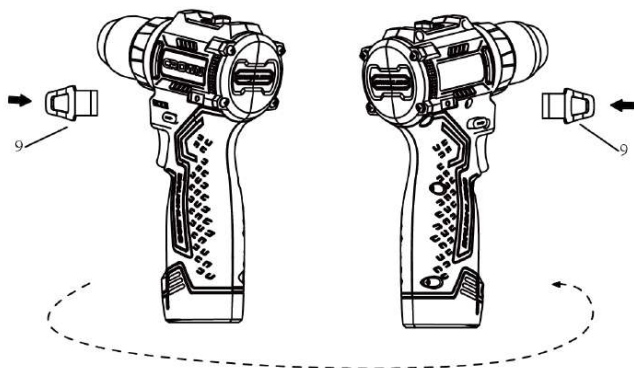
Техникалық деректер

Өнімнің үлгі нөмірі		СТ21129НХ	СТ21129НМХ
Номиналды кернеу		12	
Жүксіз жылдамдық			
-1 беріліс	r/min	0-420	
-2 беріліс	r/min	0-1800	
Әсер ету жиілігі			
ISO 5393 стандартына сәйкес қатты/жұмсақ бұрандалы жетек қолданбалары үшін максималды момент	Nm	45/23	
Бұрғылаудың максималды диаметрі			
- болат	mm	10	
-ағаш	mm	36	
Бұранданың максималды диаметрі	mm	8	
Патронды қысу диапазоны	mm	0.8-10	
Бұрғылау білігінің жіпі	mm	3/8"	
Батарея жинағын қолдау		027018	/ 027083
Батарея		Li-ion Литий-ионды батарея	
Сыйымдылығы	Ah	2	

Зарядтау уақыты	Н	1/2	
Зарядтау температурасының диапазоны	°С	5-40	
Салмақ	kg	0.88	0.91
Қолдау көрсететін зарядтағыш		027512 /	027590
Зарядтағыштың кіріс кернеуі		220-240V~ 50/60Hz /	110-240V~ 50/60Hz
Шығу кернеуі	V	10.8-12	
Зарядтау тогы	A	1/2	
Қауіпсіздік деңгейі		□/II рет	

Құрастыру





Батарейны зарядтау (А суретін қараңыз)

➤ **Тек керек-жарақтар бетінде тізімделген батарея зарядтағыштарын пайдаланыңыз. Тек осы аккумулятор зарядтағыштары электр құралының литий-ионды аккумуляторына сәйкес келеді.**

ЕСКЕРТУ: Батарейлар жартылай зарядталған. Батарей қуатының жеткілікті болуын қамтамасыз ету үшін электр құралын бірінші рет қолданар алдында батареяны зарядтағыштағы батареяларды толығымен зарядтаңыз.

Литий-ионды батареяларды кез келген уақытта олардың қызмет ету мерзімін қысқартпай қайта зарядтауға болады.

Зарядтау процесін ұзу батареяны зақымдамайды.

Литий-ионды батареялар электронды жасушаларды қорғау (ЕСР) арқылы терең разрядтан қорғалған. Батарей таусылғанда, құрылғы қорғаныс тізбегі арқылы өшеді: ендірілген құрал енді айналмайды.

⚠ ЕСКЕРТУ! Құрылғы автоматты түрде сөнгеннен кейін қосу/өшіру түймесін басуды жалғастырмаңыз. Батарей зақымдалған болуы мүмкін. Батарейны 8 шығарып алыңыз, құлыпты ашу түймесін 7 басып, батареяны төмен тартыңыз. Күш

қолданбаңыз.

Аккумулятор тек 5°C пен 40°C температура диапазонында зарядтауға мүмкіндік беретін NTC температура бақылауымен жабдықталған. Бұл батареяның қызмет ету мерзімін ұзартады.

Сақтық шараларына назар аударыңыз.

Құралдарды ауыстырыңыз (B суретін қараңыз)

Электр құралында кез келген жұмысты орындамас бұрын (мысалы, техникалық қызмет көрсету, құралдарды ауыстыру, т.б.) және тасымалдау және сақтау кезінде айналу бағытын ауыстырып-қосқышты бейтарап күйге қойыңыз. Қосу/өшіргіштің кездейсоқ қосылуы жарақатқа әкелуі мүмкін.

Қосу/өшіру қосқышы 7 басылмаған болса және бұрғы шпиндельі құлыптан босатылған күйде болса, құралды ауыстырған кезде бір қолмен ① саңылау сақинасын және екінші қолмен ② саңылау қақпағын ұстау керек, содан кейін нұсқауларды орындаңыз. B суретіндегі патронның астында Құрал салынғанша ② ілмек қақпағын көрсеткі бағытында бұраңыз.

② патрон қақпағын B суретіндегі патронның астындағы көрсеткі бағытымен бұрсаңыз, 1-патрондағы тырнақтар жабылады.

Бұрғылау патронын ауыстырыңыз

➤ Электр құралын кез келген жұмыс кезінде (мысалы, техникалық қызмет көрсету, құралды ауыстыру, т.б.) және тасымалдау мен сақтау кезінде айналу бағытын бейтарап күйге қойыңыз. Қосу/өшіргіштің кездейсоқ қосылуы жарақатқа әкелуі мүмкін.

Бекіту бұрандаларын алыңыз (C суретін қараңыз)

Кілтсіз патрон 1 бұрғы шпиндельінен байқаусызда босап кетуді болдырмау үшін бекіткіш бұрандамен 13 бекітілген. Кілтсіз патронды 1 толығымен ашыңыз және бекіту бұрандасын 13 айналу бағыты бойынша бұрап алыңыз ①. Орнату бұрандасының сол жақ бұрандалары бар екенін ескеріңіз.

Бұрғылау патронын алыңыз (D суретін қараңыз)

Алты бұрышты кілттің 14 қысқа ұшын кілтсіз патронға 1 қысыңыз.

Құрылғыны жұмыс үстелі сияқты тұрақты бетке қойыңыз. Машинаны мықтап ұстап тұрып, алты бұрышты кілтті 14 айналу бағытына 1 бұра отырып, кілтсіз патронды 1 босатыңыз. Кілтсіз патронның тығыз орнын босату үшін алтыбұрышты кілттің 14 ұзын ұшын жеңіл түртіңіз. Алты бұрышты кілтті кілтсіз патроннан алыңыз және кілтсіз патронды толығымен бұрап алыңыз.

Бұрғылау патронын орнатыңыз (суретті қараңыз)

Кілтсіз патрондар кері ретпен орнатылады.

 Бұрғылау патронын шамамен 20 Нм тарту моменті арқылы тарту керек.

Бұрғылау патронын шамамен 20 Нм тарту моменті арқылы тарту керек.

Бекіту бұрандасын 13 сағат тіліне қарсы ашық кілтсіз патронға бұраңыз;

Тарту моменті шамамен 4-5Нм. Әрқашан жаңа бекіту бұрандаларын пайдаланыңыз, өйткені жіптер жіптерді бекітетін қоспамен жабылған және қайталап қолданғаннан кейін істен шығады.

Белдік ілмегін алыңыз

Сәйкес Phillips бұрағышын итеріп, белдіктің бекіткіш бұрандасын бұрап босатыңыз және белдік бекіткішін 9 тартып шығарыңыз. Белдік ілмегін машинаның сол немесе оң жағынан итеруге болады.

Шаң/қоқыс шығару

➤ Қорғасын негізіндегі жабындар, кейбір ағаш түрлері, минералдар мен металдар сияқты материалдардағы шаң адам денсаулығына зиян тигізуі мүмкін. Шаңның жанасуы немесе ингаляциясы аллергиялық реакцияларды тудыруы және/немесе пайдаланушыда немесе қасында тұрған адамдарда тыныс алу жолдарының инфекциясын тудыруы мүмкін.

Кейбір шаңдар, мысалы, емен немесе бук шаңы, әсіресе ағашты өңдеуге арналған қоспалармен (хроматтар, ағаш консерванттары) байланысты болса, канцерогендер болып саналады. Құрамында асбесті бар материалдарды тек кәсіби мамандар өңдеуі керек.

- Жұмыс орны жақсы желдетілетініне көз жеткізіңіз.

- P2 сүзгісі бар респираторды киген жөн.

Өңделетін материалдар үшін еліңіздегі тиісті ережелерді сақтаңыз.

жұмыс істейді

Жұмысты бастау

Батареяны салыңыз

Жұмыс

Жұмысты бастау

Батареяны салыңыз

➤ Тек осы брендтің түпнұсқа литий-иондық батареяларын пайдаланыңыз және олардың кернеуі электр құралының тақтайшасындағы талаптарға сай болуы керек. Басқа батареяларды пайдалану жаракатқа әкелуі және өрт қаупін тудыруы мүмкін

ЕСКЕРТУ: Құрылғыға жарамсыз батареяны пайдалану электр құралының дұрыс жұмыс істеуіне немесе зақымдалуына әкелуі мүмкін. Абайсызда іске қосылмау үшін айналуды қосқышының 4 бағытын бейтарап күйге орнатыңыз. Қайта зарядталатын аккумуляторды 8 тұтқаға оның бекітілгенін сезіп, тұтқаға қаратып салыңыз.

Айналудың кері бағыты

(F суретін қараңыз)


Айналудың бағыты 4 машинаның айналудың бағытын өзгерту үшін қолданылады. Дегенмен, қосу/өшіру қосқышы 5 қосылған кезде бұл әрекетті орындау мүмкін емес.


Оңға бұру: Саңылауларды бұрғылау және бұрандаларды бұрау үшін айналудың бағытын 4 тоқтау орнына дейін солға қарай итеріңіз.

Солға айналдыру: бұрандалар мен гайкаларды босатып алу және алу үшін айналудың қосқышының 4 бағытын оң жақ тоқтату күйіне дейін басыңыз.

Айналым моментін орнатыңыз

Крутящий моментті алдын ала орнату сақинасымен 2 қажетті момент параметрін дұрыс параметрмен 21+1 қадаммен алдын ала таңдауға болады, кірістіру құралы бұрандаларды материалға біркелкі бұрап болғаннан кейін немесе реттелетін моментке

жеткенде тоқтатылады. Қауіпсіздік ілінісу  күйінде ажыратылған, мысалы, бұрғылауға арналған.

Бұрандаларды бұрап шығарған кезде жоғарырақ параметрді таңдаңыз немесе  таңбаға ауысыңыз.

Берілістерді таңдау, механикалық

➤ АРедуктордың 3 тұтқасын тек машина толығымен қозғалмай тұрғанда ғана іске қосыңыз. Беріліс таңдау тетігі 3 екі жылдамдық диапазонын алдын ала таңдауға мүмкіндік береді

L беріліс:

Бұрауыштарға немесе үлкен бұрғылау диаметрлеріне қолайлы төмен жылдамдық диапазоны;

H беріліс:

Шағын бұрғылау диаметрі үшін қолайлы жоғары жылдамдық диапазоны;
Редукторды 3 тоқтату күйіне дейін итеру мүмкін болмаса, бұрғы патронын сәл бұраңыз.

Қосу және өшіру

Электр құралын іске қосу үшін қосу/өшіру қосқышын 5 басып тұрыңыз.

6 шамы қосу/өшіру қосқышы 5 аздап немесе толық басылғанда жанады және нашар жарық жағдайында жұмыс аймағын жарықтандыруға мүмкіндік береді.

Электр құралын өшіру үшін қосу/өшіру қосқышын 5 босатыңыз.

Жылдамдықты реттеңіз

Электр құралын қосу жылдамдығын қосу/өшіру түймесі 5 қаншалықты басылғанына байланысты өзгермелі түрде реттеуге болады. Жылдамдықты азайту үшін қосу/өшіру қосқышын 5 аздап басыңыз. Қосқышты басу жылдамдықты одан әрі арттырады.

Үздіксіз тежеу

Қосу/өшіру қосқышы 5 босатылған кезде патрон тежегіші тоқтап, құралдың үздіксіз жұмыс істеуіне жол бермейді.

Бұранданы бұрап жатқанда, бұранда материалмен бірдей болғанша күтіңіз, содан кейін қосу/өшіру қосқышын 5 босатыңыз. Осылайша, бұранда басы материалға енбейді.

Белдік ілгегі

Машинаны белдік ілгегімен 9 іліп қоюға болады. Пайдаланушының қолдары еркін қозғала алады және машина әрқашан пайдалануға дайын.

Температураға тәуелді шамадан тыс жүктемеден қорғау

Электр құралдары мақсатты түрде пайдаланылған кезде шамадан тыс жүктелмейді. Жүктеме тым жоғары болғанда немесе батареяның рұқсат етілген температура диапазоны 0-70°C асып кеткенде жылдамдық төмендейді. Электр құралы батареяның рұқсат етілген температурасына жеткенше жұмыс істемейді.

Нұсқаулар

➤ Электр құралдарын бұрандаларға жабылған кезде ғана жағыңыз. Айналмалы аспап сырғып кетуі мүмкін.

Кенес

Ұзақ уақыт бойы төмен жылдамдықпен жұмыс істегеннен кейін, шамамен 3 минут бойы жүктемесіз максималды жылдамдықта жұмыс істеп, машинаның суытуына мүмкіндік беріңіз.

Металды бұрғылау үшін тек өте өткір HSS бұрғылау биттерін пайдаланыңыз (HSS = Жоғары жылдамдықты болат). Үлкенірек, ұзын бұрандаларды қатты материалдарға бұрмас бұрын, бұрандалы өзек диаметрі бұранда ұзындығының шамамен 2/3 бөлігін құрайтын пилоттық тесікті алдын ала бұрғылау ұсынылады.



Қалдық тәуекел

Электр аспаптары көрсетілгендей пайдаланылғанның өзінде, барлық қалдық қауіп факторларын жою мүмкін емес. Электр құралдарының құрылысы мен дизайны келесі

қауіптерді тудыруы мүмкін:

1. Тиімді шаң маскасын кимеу өкпеге зақым келтіруі мүмкін.

2. Есту қабілетіне тиімді қорғаныс тақпаса, есту қабілеті зақымдалуы мүмкін.

Электр құралдары ұзақ уақыт бойы пайдаланылса немесе олар дұрыс басқарылмаса және дұрыс күтілмесе, олар діріл шығару салдарынан денсаулығыңызға зиян келтіруі мүмкін.

ЕСКЕРТУ! Бұл машина жұмыс кезінде электромагниттік өрістерді жасайды.

Кейбір жағдайларда өріс белсенді немесе пассивті медициналық импланттарға кедергі келтіруі мүмкін. Ауыр немесе өлімге әкелетін жарақат алу қаупін азайту үшін медициналық импланттары бар адамдарға осы құрылғыны пайдаланбас бұрын дәрігерімен және медициналық имплант өндірушісімен кеңесуді ұсынамыз.

Қауіпсіздігіңіз үшін



Барлық қауіпсіздік ескертулері мен нұсқауларын оқыңыз. Ескертулер мен нұсқауларды орындамау электр тогының соғуына, өртке және/немесе ауыр жарақатқа әкелуі мүмкін.



ЕСКЕРТУ! Зарядтау кезінде жұмыс істемеңіз!

Батареяға техникалық қызмет көрсету нұсқаулары

1. Батареяны толық таусылғанға дейін уақытында зарядтаңыз, батарея заряды азайған кезде жұмысын тоқтатыңыз және оны дереу зарядтаңыз.

2. Толық зарядталғаннан кейін батареяны шамадан тыс зарядтамаңыз, әйтпесе қызмет ету мерзімі қысқарады.

3. Батареяны бөлме температурасында 5°C-40°C (41°F-104°F) зарядтаңыз.

4. Ұзақ уақыт жұмыс істемегенде, оны алты ай сайын зарядтаңыз.

Нұсқаулар

●Зарядтағыш ●Батарея

Батареяны зарядтаңыз

Үй ішінде зарядтаңыз.

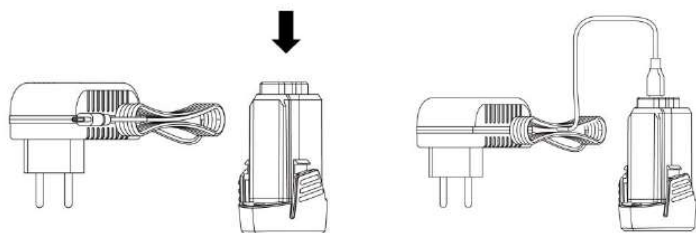
Батарея жартылай зарядталған. Батарея қуатының жеткілікті болуын қамтамасыз ету үшін электр құралын бірінші рет қолданар алдында батареяны зарядтағыштағы

батареяны толығымен зарядтаңыз.

Толық таусылған батареяны зарядтау 5-40°C температурада 60 минутты алады.

- 1) Тек сәйкес келетін зарядтағышты пайдаланыңыз.
- 2) Адаптерді розеткаға салмас бұрын, адаптерді зарядтау негізіне қосыңыз.
- 3) Батареядағы кілт ұяға салынғанын тексеріңіз.
- 4) Батареяны зарядтау негізіне салыңыз.
- 5) Немесе тұрақты ток адаптерінің ашасын батареяға тікелей салыңыз.
- 6) Смарт зарядтағыш батареяның зарядталу күйін бағалай алады.

Зарядтағыштың индикатор шамы



	Көрсеткіш шам	Зарядтағышты көрсететін шам	МӘдіс
Режим			
қал		Жасыл	Қосу
батареяның ақаулығы		Жасыл	Батареяны ауыстырыңыз
Батарея қызып кетті		Жасыл	Температура қалыпты болған кезде зарядтау автоматты түрде қайта басталады.
Қалыпты зарядтау		Қызыл	Жауапты болыңыз
Толық зарядтау		Жасыл	Толық зарядтау



ЕСКЕРТУ! Бл зарядтағышты тек осы өнімнің өндірушісі жеткізетін 027083-12V (12 В) аккумулятор жинағын

зарядтау үшін пайдалануға болады және TYPE-C кіріс интерфейсі бар кез келген басқа жабды құрылғыны (мысалы, ұялы телефондарды, компьютерлерді, планшеттерді және т.б. қоса алғанда, бірақ олармен шектелмейді) зарядтауға тыйым салынады.

Бастапқы операция

Желінің дұрыс кернеуіне назар аударыңыз: Желілік кернеу құрылғының тақтайшасында көрсетілген кернеуге сәйкес келуі керек.

Зарядтау процедурасы

Қуат ашасы розеткаға және батарея зарядтау бөліміне салынғаннан кейін зарядтау процесі басталады.

Смарт зарядтау процесі батареяның зарядтау күйін автоматты түрде анықтап, батарея кернеуіне негізделген оңтайлы зарядтау тоқында зарядтауға мүмкіндік береді.

Бұл батареяны қорғайды және сақтау кезінде зарядтағышқа салғанда толық зарядталған күйде ұстайды.

- Ақаулы розетка, кабель немесе зарядтағыш.

Түзету әрекеті: Желілік кернеуді тексеріңіз және қажет болса зарядтағышты тексеру үшін Crown Power Tools уәкілетті тұтынушыларға қызмет көрсету орталығына апарыңыз.

Практикалық кеңес

- А Үздіксіз немесе қайталанатын зарядтау циклдарынан кейін зарядтағыш қызып кетуі мүмкін.

Бірақ бұл температураның жоғарылауы құрылғыдағы техникалық ақауды көрсетпейді.

- Зарядтаудан кейін жұмыс уақыты айтарлықтай қысқарса, бұл батареяның таусылғанын және оны ауыстыру керектігін білдіреді.

Техникалық қызмет көрсету және тазалау

Жабдық пен желдету тесіктерін әрқашан таза ұстаңыз.

Өндіріс және сынау кезіндегі аса мұқияттылыққа қарамастан, жабдық дұрыс жұмыс істемей жатса, оны жөндеу үшін Crown Power Tools тұтынушыларға қызмет көрсету орталығына апарыңыз.

Жою

Батарея зарядтағыштары, керек-жарақтары мен қаптамасы қоршаған ортаға зиянсыз қайта өңдеу үшін сұрыпталуы керек.

Сатудан кейінгі қызмет көрсету

Zhejiang Gaofan Trading Co., Ltd.

No. 636, Jiufeng street Jinhua city, Zhejiang, China.

www.crown-tools.com

Шыққан жері: Jinhua Zhejiang

Қызметтік телефоны: 400-883-2658 (Қытай)

I. Загальні правила техніки безпеки



Попередження—для зниження ризику отримання травм користувач повинен ознайомитися з керівництвом по експлуатації!

Загальні попередження з техніки безпеки при роботі з електроінструментом



Попередження! Прочитайте всі попередження про дотримання техніки безпеки та всі інструкції.

Недотримання попереджень та інструкцій може призвести до ураження електричним струмом, пожежі та/або серйозних травм.

Збережіть всі попередження та інструкції для подальшого використання.

Термін "електроінструмент" в попередженнях стосується Вашого електроінструменту, що працює від мережі (провідного) або від акумулятора (бездротового).

1) Безпека робочої зони

a) Зберігайте робочу зону в чистоті та гарному освітленні. Захаращені або темні приміщення можуть призвести до нещасних випадків.

b) Не використовуйте електроінструмент у вибухонебезпечному середовищі, наприклад, у присутності легкозаймистих рідин, газів або пилу. Електроінструменти створюють іскри, через які може спалахнути пил або дим.

c) Відведіть дітей та сторонніх людей подалі під час роботи з електроінструментом. Відволікання можуть призвести до втрати контролю.

2) Електробезпека

a) Вилки електроінструменту повинні підходити до розетки. В одному якому разі не модифікуйте штекер. Не використовуйте штепсельні вилки адаптера з заземленими (наземними) електроінструментами. Незмінні вилки та відповідні розетки зменшать ризик ураження електричним струмом.

b) Уникайте контакту тіла з заземленими або наземними поверхнями, такими як труби, радіатори, плити та холодильники. Існує підвищений ризик ураження електричним струмом, якщо ваше тіло заземлене.

c) Не піддавайте електроінструмент впливу дощу або вологи. Потрапляння води в електроінструмент збільшує ризик ураження електричним струмом.

d) Не смикайте шнур. Ніколи не використовуйте шнур для перенесення, витягування або від'єднання електроінструменту. Тримайте шнур подалі від джерел тепла, нафти, гострих країв або рухомих частин. Пошкоджені або заплутані шнури підвищують ризик ураження електричним струмом.

e) При роботі з електроінструментом на відкритому повітрі використовуйте подовжувач, відповідний для використання на відкритому повітрі. Використання шнура, придатного для застосування на відкритому повітрі, знижує ризик ураження електричним струмом.

f) Якщо використання електроінструмента у вологому місці неминуче, використовуйте джерело, захищене пристроєм захисного відключення (ПЗВ). Використання ПЗВ

знижує ризик ураження електричним струмом.

3) Особиста безпека

- a) Будьте пильні, стежте за тим, що ви робите, і керуйтеся здоровим глуздом при роботі з електроінструментом. Не використовуйте електроінструмент, якщо ви втомилися або перебуваєте під впливом наркотиків, алкоголю або ліків. Найменша неуважність при роботі з електроінструментом може привести до серйозних травм.
- b) Використовуйте засоби індивідуального захисту. Завжди надягайте захисні окуляри. Засоби захисту, такі як маска від пилу, нековзне захисне взуття, каска або пристрої захисту слуху, які використовуються у відповідних умовах, зменшать кількість травм.
- c) Запобігайте ненавмисному запуску. Переконайтеся, що вимикач дійсно знаходиться у вимкненому стані, перш ніж підключитися до джерела живлення та/або батарейного блоку, брати або переносити інструмент. Носіння електроінструменту з пальцем на вимикачі або включення електроінструменту з включеним вимикачем може призвести до нещасних випадків.
- d) Перед включенням електроінструменту витягніть будь-який регулювальний або гайковий ключ. Гайковий або інший ключ, залишені прикріпленими до обертової частини електроінструменту, можуть призвести до травм.
- e) Не перестарайтеся. Завжди зберігайте правильну опору та рівновагу. Це дозволяє краще управляти електроінструментом в непередбачених ситуаціях.
- f) Одягайтеся належним чином. Не носіть вільний одяг або прикраси. Тримайте своє волосся, одяг і рукавички подалі від рухомих частин.
- Просторий одяг, прикраси або довге волосся можуть зачепитися за рухомі частини.
- g) Якщо передбачені прилади для підключення пристроїв для видалення і збирання пилу, то переконайтеся, що вони під'єднані та використовуються належним чином. Використання пилозбірника може зменшити небезпеку, пов'язану з пилом.

4) Використання та догляд за електроінструментом

- a) Не використовуйте електроінструмент із докладанням надмірних зусиль. Використовуйте відповідний електроінструмент для вашого застосування. Правильний електроінструмент буде виконувати роботу краще та безпечніше з тією швидкістю, на яку він був розрахований.
- b) Не використовуйте електроінструмент, якщо перемикач його не вмикає і не вимикає. Будь-який електроінструмент, яким не можна керувати за допомогою вимикача, є небезпечним та підлягає ремонту.
- c) Перед будь-яким налаштуванням, заміною приладдя або зберіганням електроінструменту від'єднайте вилку від джерела живлення і/або акумуляторну батарею від електроінструменту. Такі превентивні заходи безпеки знижують ризик випадкового запуску електроінструменту.
- d) Зберігайте непрацюючі електроінструменти в недоступному для дітей місці та не дозволяйте людям, які не знайомі з електроінструментом або цими інструкціями, працювати з електроінструментом. Електроінструменти є небезпечними у руках непідготовлених користувачів.
- e) Підтримуйте робочий стан електроінструментів. Перевірте, чи немає зміщення або застрягання рухомих частин, поломки деталей та будь-яких інших умов, що можуть вплинути на роботу електроінструменту. Перед використанням, несправний електроінструмент необхідно відремонтувати. Багато нещасних випадків відбуваються через погане обслуговування електроінструменту.

f) Зберігайте ріжучі інструменти гострими і чистими. Ріжучі інструменти з гострими ріжучими крайками, які обслуговуються належним чином, менш схильні до заклинювання та ними легше керувати.

g) Використовуйте електроінструмент, приладдя та насадки тощо відповідно до цієї інструкції, враховуючи умови роботи та роботу, яку необхідно виконувати.

Використання електроінструменту не за призначенням може призвести до виникнення небезпечної ситуації.

5) Використання і догляд за акумуляторним інструментом

a) Заряджайте виключно за допомогою зарядного пристрою, зазначеного виробником. Зарядний пристрій, що підходить для одного типу батарейного блоку, може створити небезпеку загоряння при використанні з іншим батарейним блоком.

b) Використовуйте електроінструменти лише зі спеціально призначеними батарейними блоками. Використання будь-яких інших акумуляторних батарей може призвести до травм і займання.

c) Коли акумулятор не використовується, тримайте його подалі від інших металевих предметів, таких як скріпки, монети, ключі, цвяхи, гвинти або інші дрібні металеві предмети, які можуть з'єднати один елемент з іншим. Коротке замикання клем акумулятора може призвести до опіків або загоряння.

d) За неправильних умов з батареї може витікати рідина; уникайте контакту. При випадковому потрапленні на частини тіла, промийте водою. Якщо рідина потрапила в очі, додатково зверніться за медичною допомогою. Рідина, що витікає з акумулятора, може викликати роздратування або опіки.

6) Обслуговування

a) Довірте обслуговування вашого електроінструменту кваліфікованому спеціалістові з ремонту, з використанням лише ідентичних запчастин. Це забезпечить збереження та потужність електроінструменту.

II. Особливі вказівки з техніки безпеки для акумуляторної дрилі

Особливі вказівки з техніки безпеки для акумуляторної дрилі

- Тримайте Електроінструмент за ізольовані поверхні захоплення під час виконання операцій, при яких ріжучий інструмент може контактувати з прихованою проводкою або власним шнуром. Зіткнення ріжучого інструменту з дротом, що знаходиться під напругою, може призвести до того, що оголені металеві частини електроінструменту опиняться під напругою, що може призвести до ураження оператора електричним струмом.
- Використовуйте відповідні Детектори, щоб визначити, чи приховані лінії електропередач у робочій зоні, або зверніться за допомогою до місцевої комунальної компанії. Контакт з електропроводами може призвести до пожежі та ураження електричним струмом. Пошкодження газопроводу може призвести до вибуху. Проникнення у водопровід може призвести до пошкодження майна.
- При заклинюванні інструменту негайно вимикайте Електроінструмент. Будьте готові до високого крутного моменту, який може викликати віддачу. Інструмент,

що вставляє заїдання, коли:

- харчування занадто сильно перевантажене або
- він застряє на робочому місці
- Тримайте електроінструмент лише за ізольовані поверхні зчеплення під час виконання операцій, коли ріжучий інструмент може натрапити на приховану проводку. Контакт з проводом під напругою призведе до того, що оголені металеві частини інструменту опиняться під напругою і вдарять оператора струмом.
- Тримайте електроінструмент міцним хватом. При вкручуванні і відкручуванні гвинтів може виникнути короткочасний високий крутний момент.
- Охороняйте робоче місце. Робоче місце, закріплене затискними пристроями або лещатами, утримується в більшій безпеці, ніж вручну.
- Підтримуйте чистоту на робочому місці. Суміші матеріалів особливо небезпечні. Пил з легких сплавів може спалахнути або вибухнути.
- Завжди чекайте повної зупинки електроінструменту, перш ніж опускати його. Різак інструменту може заклинитися і призвести до втрати контролю над електроінструментом.
- Уникайте ненавмисного включення. Перш ніж встановлювати акумуляторну батарею, переконайтеся, що перемикач увімкнення/ вимкнення знаходиться у вимкненому положенні. Небезпечно класти палець на вимикач при переміщенні інструменту або вставляти батарею, якщо інструмент виходить з ладу.
- Не відкривайте батарею. Небезпека замикання



Захищайте батарею від перегріву, наприклад, від постійного сонячного опромінення і пожежі. Існує небезпека вибуху.

- У разі пошкодження батареї і неправильного її використання можливе виділення парів. Забезпечте приплив свіжого повітря і зверніться за медичною допомогою при виникненні аварії. Пари можуть дратувати органи дихання.
- Якщо батарея несправна, рідина може витікати і потрапляти на сусідні компоненти. Перевірити всі відповідні деталі. При необхідності очистити їх або замінити.

Зарядний пристрій

- Захищайте зарядний пристрій від дощу і вологи. Попадання води в зарядний пристрій підвищує ризик ураження електричним струмом.

- Не заряджайте інші батареї. Зарядний пристрій підходить тільки для зарядки літій-іонних батарей в межах зазначеного діапазону напруг. В іншому випадку існує небезпека загоряння і вибуху.
- Тримайте зарядний пристрій в чистоті. Забруднення може призвести до ураження електричним струмом.
- Кожен раз перед використанням перевіряйте зарядний пристрій, кабель і вилку. Не використовуйте зарядний пристрій при виявленні несправностей. Не відкривайте зарядний пристрій самостійно і ремонтуйте його тільки кваліфікованим персоналом з використанням оригінальних запасних частин. Пошкоджені Зарядні пристрої, кабелі та штепсельні вилки підвищують ризик ураження електричним струмом.
- Не використовуйте зарядний пристрій на легкозаймистих поверхнях (наприклад, на папері, текстилі і т.д.) або в горючих середовищах. Через нагрівання зарядного пристрою під час зарядки існує небезпека пожежі.



Попередження! Щоб уникнути ураження електричним струмом, загоряння або серйозних травм прочитайте і усвідомте для себе цей посібник з експлуатації. Одягайте захисні окуляри. Не виймайте, не подрібнюйте, не нагрівайте до 100 °С і не спалюйте. Використовуйте тільки зі спеціалізованим зарядним пристроєм.

Не замикайте шнур і не кидайте його у вогонь. При зарядці рекомендується підтримувати температуру в приміщенні на рівні 5-40 °С. Остерігайтеся вибуху або пожежі. Зберігайте батарею в недоступному для дітей місці. Не використовуйте акумуляторну батарею як молоток, оскільки удар по батареї може призвести до випадкового короткого замикання або вибуху.



Прочитайте всі попередження про дотримання техніки безпеки та всі інструкції. Недотримання попереджень та інструкцій може призвести до ураження електричним струмом, пожежі та/або серйозних травм.

Використання за призначенням

Інструмент призначений для забивання і відкручування шурупів, а також для свердління отворів в дереві, металі, кераміці та пластмасі.

Заявлене загальне значення вібрації було виміряно відповідно до стандартного методу випробувань і може використовуватися для порівняння одного інструменту з іншим.

Заявлене загальне значення вібрації також може бути використано при попередній оцінці впливу.

Попередження

Рівень вібрації при фактичному використанні електроінструменту може відрізнятись від заявленого загального значення в залежності від способу використання інструменту.

Необхідно визначити заходи безпеки для захисту оператора, засновані на оцінці впливу в реальних умовах експлуатації (з урахуванням всіх етапів робочого циклу, таких як час, коли інструмент вимкнений і коли він працює вхолосту, на додаток до часу тригера).

(Перевірте відповідну інформацію про шум та вібрацію)

Шум (тестовано відповідно до EN 60745-1 і EN 60745-2-1):






$L_pA=69\text{dB(A)}$; $L_wA=80\text{dB(A)}$, $K=3\text{dB(A)}$

Вібрація (тестовано відповідно до EN 6045-1 і EN 60745-2-1): $a_h= 1,069\text{ m/s}^2$

$K=1,5\text{ m/s}^2$

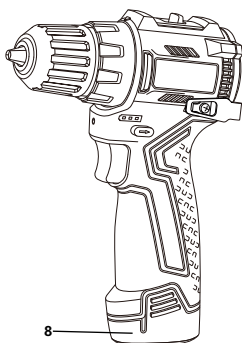
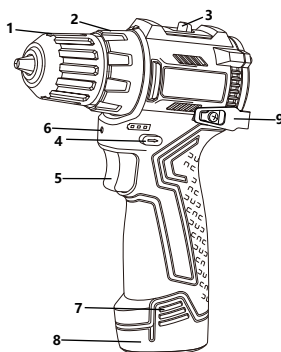
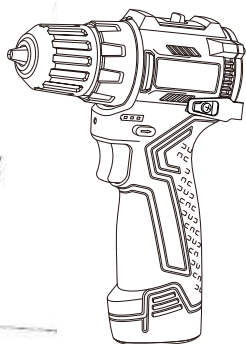
Символ

На заводській табличці Вашого інструменту можуть бути вказані символи. Вони представляють важливу інформацію про продукт або інструкції щодо його використання.

	Прочитайте інструкцію з експлуатації
	Подвійна ізоляція для додаткового захисту (зарядний пристрій)
	При роботі з електроінструментом надягайте засоби захисту органів слуху.
	Одягайте захисні окуляри.
	Відпрацьовані електричні продукти не слід викидати разом з побутовими відходами. Будь ласка, утилізуйте там, де є відповідні споруди. Зверніться до місцевої влади або продавця за порадою щодо утилізації.

III Введення / опис продукту та технічні параметри

Характеристики продукту




1 Швидкозатискний патрон	2 Кільце попереднього налаштування крутного моменту	3 Тригер швидкості
4 Передній / задній важіль	5 Кнопка включення / вимикання	6 LED
7 Кнопка включення / вимикання	8 Батарея	9 Пряжка ремня

Нумерація характеристик продукту відповідає зображенню електроінструменту на

сторінці з графікою.

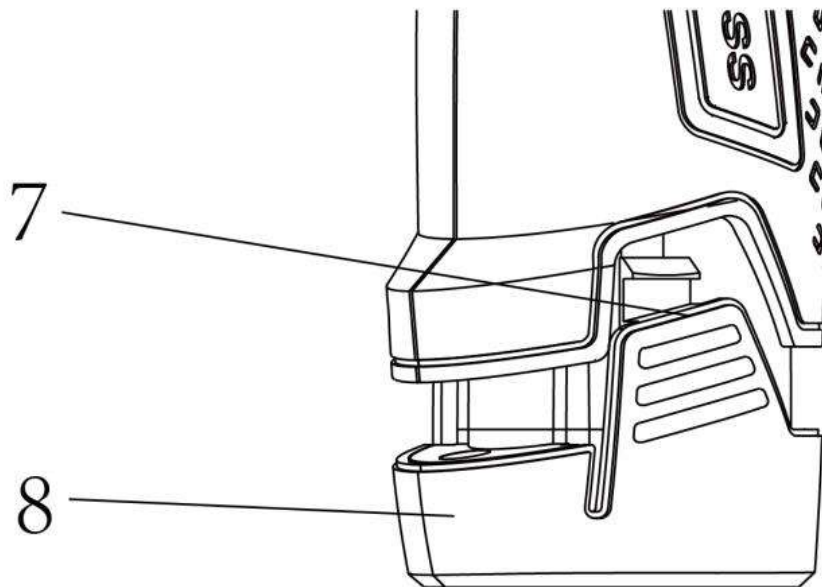
* Ілюстровані або описані аксесуари не входять в стандартну комплектацію.

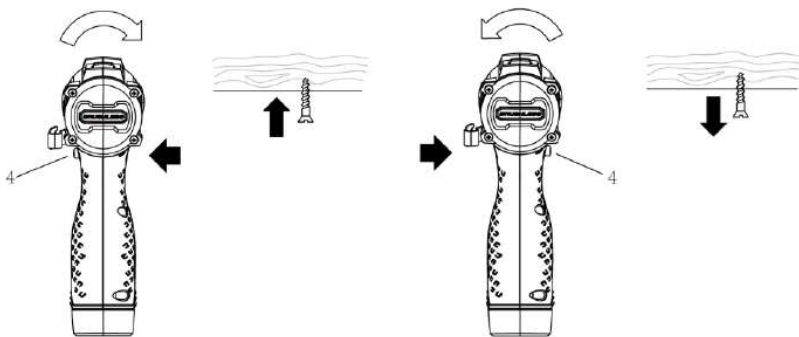
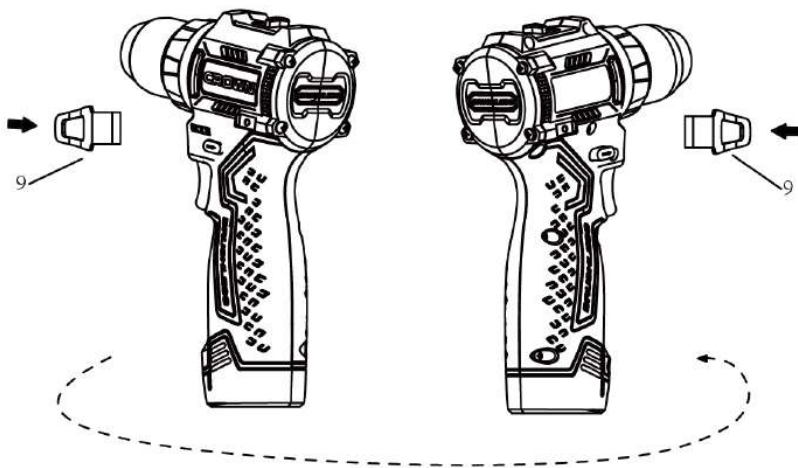
Технічні дані

Номер моделі продукту		СТ21129НХ	СТ21129НМХ
Номінальна напруга		12	
Швидкість обертання на холостому ходу			
- Перша передача	r/min	0-420	
- Друга передача	r/min	0-1800	
Частота удару			
Максимальний крутний момент для загвинчування твердих / м'яких гвинтів відповідно до ISO 5393	Nm	45/23	
Максимальний діаметр свердління			
-Сталь	mm	10	
-Деревина	mm	36	
Максимальний діаметр гвинта	mm	8	
Діапазон затиску патрона	mm	0.8-10	
Різьба шпинделя свердла	mm	3/8"	
Підтримка батарейного блоку		027018	/ 027083
Батарея		Літій-йон	
Ємність	Ah	2	
Час зарядки:	h	1/2	
Діапазон температур може бути змінений	°C	5-40	
Вага	kg	0.88	0.91
Комплектуючий зарядний			

пристрій		027512 / 027590
Вхідна напруга зарядного пристрою		220-240V~ 50/60Hz / 110-240V~ 50/60Hz
Вихідна напруга	V	10.8-12
Зарядний струм	A	1/2
Клас безпеки		□/II

Зборка





Зарядка акумулятора (дивіться малюнок а)

- Використовуйте лише Зарядні пристрої, зазначені на сторінці аксесуарів. Тільки ці Зарядні пристрої підходять до літій-іонної батареї вашого електроінструменту.

Примітка: батарея поставляється частково зарядженим. Щоб забезпечити повну зарядку батареї, перед першим використанням електроінструменту повністю зарядіть його в зарядному пристрої.

Літій-іонну батарею можна зарядити в будь-який час без зменшення терміну його служби.

Переривання процедури зарядки не призведе до пошкодження батареї.

Літій-іонна батарея захищений від глибокої розрядки за допомогою «системи захисту

елементів живлення (ЕСР)». Коли батарея розряджена, машина відключається за допомогою захисної ланцюга:



Попередження! Не натискайте кнопку ввімкнення / вимкнення після автоматичного вимкнення машини. Це може призвести до пошкодження акумулятора. Вийміть батареї 8, Натисніть кнопки розблокування 7 і вийміть батареї вниз. Не докладайте жодних зусиль.

Батарея оснащена системою контролю температури NTC (негативний температурний коефіцієнт (НТК), яка дозволяє заряджати її тільки в діапазоні температур від 5 °С до 40 °С. Таким чином досягається тривалий термін служби батареї.

Дотримуйтесь інструкцій з утилізації.

Замініть інструмент (див.малюнок Б).

Перед виконанням будь-яких робіт з електроінструментом (наприклад, технічне обслуговування, заміна інструменту і т.д.), а також при транспортуванні і зберіганні встановіть перемикач напрямку обертання в центральне положення. Ненавмисне включення / вимикання перемикача може призвести до травм.

Якщо кнопка ON / Off 7 не натиснута, свердлильний шпindel знаходиться в розблокованому стані, при заміні інструменту слід утримувати однією рукою затискне кільце, а інший - кришку затиску, потім повертати кришку затиску в напрямку , зазначеному стрілкою під патроном на малюнку Б, до тих пір, поки інструмент може бути вставлений точно.

Якщо повернути кришку затиску ② в напрямку обертання, зазначеному стрілкою під патроном на

малюнку Б, затискачі в патроні 1 будуть закриті

Заміна затискного патрона для свердел

- Перед виконанням будь-яких робіт з електроінструментом (наприклад, технічне обслуговування, заміна інструменту і т.д.), а також при транспортуванні і зберіганні встановіть перемикач напрямку обертання в центральне положення. Ненавмисне включення / вимикання перемикача може призвести до травм.

Відгвинчування кріпильного гвинта (дивіться малюнок В)

Швидкозатискний патрон 1 закріплений кріпильним гвинтом 13 на випадок ненавмисного відкручування від свердлильного шпиделя. Повністю відкрийте швидкозатискний патрон 1 і відкрутіть кріпильний гвинт 13 у напрямку обертання ①. Зверніть увагу, що кріпильний гвинт має ліву різьбу.

Витягніть свердлильний патрон (дивіться малюнок Г).

Витягніть свердлильний патрон (дивіться малюнок Г).

Встановіть машину на стійку поверхню (наприклад, на верстак). Міцно тримайте машину і ослабте патрон 1, повернувши шестигранний ключ 14 у напрямку обертання ①. Послабте щільно встановлений швидкозатискний патрон, злегка вдаривши по довгому кінці шестигранного ключа 14. Вийміть шестигранний ключ із швидкозатискного патрона і повністю відкрутіть швидкозатискний патрон.

Установка затискного патрона для свердел (дивіться малюнок)

Швидкозатискний патрон встановлюється в зворотному порядку.



Момент затягування затискного патрона для свердел повинен становити близько 20 Нм.

Вкрутіть кріпильний гвинт 13 проти годинникової стрілки у відкритий швидкозатискний патрон;

Момент затягування приблизно 4-5 нм. Завжди використовуйте новий кріпильний гвинт, оскільки різьба покрита сумішшю для фіксації різьби, яка втрачає свою силу після багаторазового використання.

Зняття пряжки ремня

Натисніть на відповідну хрестову викрутку, викрутіть кріпильний гвинт пряжки ремня, витягніть пряжку ремня 9. Пряжку ремня можна натискати ліворуч або праворуч від машини.

Витяг пилу/стружки

➤ Пил, що міститься в таких матеріалах, як покриття, що містять свинець, деякі породи дерева, мінерали та метали, може бути шкідливим для здоров'я людини. Дотик або вдихання пилу може викликати алергічні реакції та/або призвести до респіраторних інфекцій у користувача або сторонніх осіб. Деякі види пилу, наприклад дубова або букова, вважаються канцерогенними, особливо в поєднанні з добавками для обробки деревини (хромат, антисептик для дерева). З матеріалами, що містять азбест, можуть працювати тільки фахівці.

- Забезпечте хорошу вентиляцію робочого місця.

- Рекомендується використовувати респіратор з фільтром класу P2.

Дотримуйтесь чинних у вашій країні правил щодо оброблюваних матеріалів.

Операція

Початок роботи

Вставка батареї

➤ Використовуйте тільки оригінальні літій-іонні батареї даної марки з напругою, зазначеним на заводській табличці вашого електроріструменту. Використання

інших батарей може призвести до травм і пожежонебезпеки

Примітка: Використання батарей, не придатних для даної машини, може привести до збоїв в роботі або пошкодження електроінструменту. Встановіть перемикач напрямку обертання 4 в центральне положення, щоб уникнути випадкового включення. Вставте заряджену батарею 8 в рукоятку так, щоб вона щільно прилягала до неї і була врівень з нею.

Зміна напрямку обертання


(дивіться малюнок F)


Перемикач напрямку обертання 4 використовується для зміни напрямку обертання машини на протилежне. Однак це неможливо при включеному / вимкненому перемикачі 5.

Праве обертання: Для свердління і загвинчування шурупів натисніть перемикач напрямку обертання 4 вліво до упору.

Ліве обертання: Для відкручування і закручування гвинтів і гайок натисніть на перемикач напрямку обертання 4 до упору вправо.

Налаштування крутного моменту

За допомогою кільця попереднього налаштування крутного моменту 2 можна попередньо вибрати необхідний крутний момент з кроком 21+1 при правильному налаштуванні, вставний інструмент зупиняється, як тільки гвинти угвинчуються в матеріал врівень або коли досягається відрегульований крутний момент. Запобіжна муфта відключається, наприклад, в положенні  , використовуваному для свердління.

Виберіть більш високу настройку або перейдіть на символ  при відкручуванні гвинтів.

Вибір передачі механічної

Ажімайте на важіль перемикання передач 3 тільки при повній зупинці машини.

За допомогою важеля перемикання передач 3 можна попередньо вибрати два діапазони швидкостей

Передача L:

Низький Діапазон обертів; для шурупверта або робіт з великим діаметром свердління.

Передача H:

Широкий діапазон швидкостей; для роботи з невеликим діаметром свердління.

Якщо перемикач передач 3 не вдається встановити до упору, злегка поверніть

затискний патрон для свердел.

Включення і виключення

Для запуску електроінструменту натисніть кнопку включення / вимикання 5 і утримуйте її натиснутою.

Індикатор 6 загоряється при легкому або повному натисканні кнопки включення / вимикання 5 і дозволяє висвітлити робочу зону при несприятливих умовах освітлення

Щоб вимкнути Електроінструмент, відпустіть кнопку включення / вимикання 5.

Регулювання швидкості

Швидкість включення електроінструменту можна регулювати в залежності від того, наскільки сильно натиснута кнопка включення/вимикання 5. Невелике натискання на кнопку включення / вимикання 5 призводить до зниження швидкості обертання.

Подальше натискання на кнопку призводить до збільшення швидкості.

Гальмо вибігу

При відпуску кнопки включення / вимикання 5 патрон гальмується до упору, запобігаючи таким чином вибіг інструменту.

Вкручуючи гвинти, зачекайте, поки гвинт буде вкручений врівень з матеріалом, а потім відпустіть вимикач 5. При цьому головка гвинта не буде проникати в матеріал.

Пряжка ременя

За допомогою пряжки 9 машину можна закріпити на ремені. У користувача вільні обидві руки, а машина завжди під рукою.

Захист від перевантаження в залежності від температури

При використанні за призначенням електроінструмент не може піддаватися перевантажень. При занадто високому навантаженні або перевищенні допустимого діапазону температур батареї від 0 до 70°C Швидкість обертання знижується. Електроінструмент не працюватиме, поки температура акумулятора не досягне допустимої.

ІНСТРУКЦІЇ З ЕКСПЛУАТАЦІЇ

- Торкайтеся до шурупа електроінструментом тільки у вимкненому стані. Лезо обертового різачка може зісковзнути.

Підказка

Після тривалої роботи на низькій швидкості дайте машині охолонути, запустивши його приблизно на 3 хвилини на максимальній швидкості без навантаження.

Для свердління по металу використовуйте тільки ідеально гостре біта-свердло з HSS (HSS =швидкорізальна сталь).

Перед загвинчуванням великих і довгих гвинтів в тверді матеріали рекомендується попередньо просвердлити

пілотне отвір з діаметром різьби приблизно на 2/3 довжини гвинта.



Залишкові ризики

Навіть якщо Електроінструмент використовується за призначенням, неможливо усунути всі залишкові фактори ризику. У зв'язку з конструкцією електроінструменту можуть виникнути наступні небезпеки:

- 1 Пошкодження легенів, якщо не надіта ефективна протипилова маска.
- 2 Пошкодження слуху при відсутності ефективних засобів захисту органів слуху.

При тривалому використанні електроінструменту або неправильному управлінні і догляді за ним може виникнути небезпека для здоров'я в результаті вібрації.

Попередження! Під час роботи ця машина створює електромагнітне поле.

За певних обставин це поле може заважати активним або пасивним медичним імплантатам. Щоб зменшити ризик серйозних або смертельних травм, ми рекомендуємо особам, які мають медичні імплантати, проконсультуватися зі своїм медичним працівником та виробником медичних імплантатів перед початком роботи цієї машини.

З метою вашої безпеки



Прочитайте всі попередження про безпеку та всі інструкції. Недотримання попереджень та інструкцій може призвести до ураження електричним струмом, пожежі та/або серйозних травм.



Попередження! Не працюйте в стані зарядки!

Інструкція з технічного обслуговування батареї

1. Виконуйте своєчасну зарядку до того, як батарея повністю розрядиться, припиніть використання при низькій потужності і негайно зарядіть її.
2. Не заряджайте акумулятор, якщо він повний, інакше це призведе до скорочення терміну служби.
3. Заряджайте батарею при кімнатній температурі 5°C-40°C (41°F-104°F)
4. Заряджайте батарею кожні шість місяців без тривалої експлуатації.

Інструкція по експлуатації

• Зарядний пристрій • Батарея

Заряджайте батарею

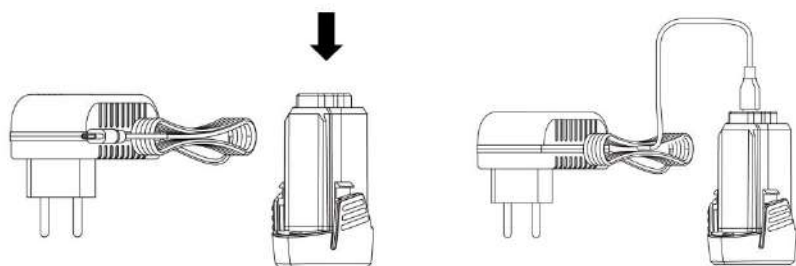
Будь ласка, заряджайте його в приміщенні.

Батарея поставляється частково зарядженим. Щоб забезпечити повну зарядку батареї, перед першим використанням електроінструменту повністю зарядіть його в зарядному пристрої.

Для повної зарядки розрядженої батареї при температурі 5-40 °С потрібно 60 хвилин.

- 1) Будь ласка, використовуйте лише відповідний зарядний пристрій.
- 2) Будь ласка, підключіть адаптер до гнізда для зарядки, перш ніж вставляти адаптер в розетку.
- 3) Переконайтеся, що ключ на батареї вставлений в гніздо.
- 4) Вставте батарею в гніздо для зарядки.
- 5) Або вставте штекер адаптера постійного струму безпосередньо в акумулятор.
- 6) Інтелектуальний зарядний пристрій може оцінити стан заряду акумулятора.

Індикаторні лампи зарядного пристрою



	Індикаторна лампа	Індикаторні лампи зарядного пристрою	Метод
Режим			
Режим очікування		Зелений	Включити джерело живлення
Несправність батареї		Зелений	Замінити батарею
Перегрів батареї		Зелений	Коли температура стане нормальною, зарядження відновиться автоматично.
Нормальна зарядка		Червоний	Бути на зарядці
Повний заряд		Зелений	Повний заряд



УВАГА! Цей зарядний пристрій можна використовувати лише для зарядження акумуляторної батареї 027083-12В, що постачається виробником цього виробу. Заряджати будь-яке інше обладнання та інструменти з вхідним інтерфейсом TYPE-C (такі як мобільні телефони, комп'ютери, планшети, але не обмежуючись цим) заборонено.

Початкова операція

Напруга джерела живлення повинна відповідати напрузі, зазначеній на заводській табличці пристрою.

Процес зарядки

Процес зарядки починається, як тільки Мережева вилка вставлена в розетку, а батарея - в зарядний відсік.

Інтелектуальний процес зарядки автоматично визначає стан заряду батареї, дозволяючи заряджати його оптимальним зарядним струмом в залежності від напруги батареї під час зарядки.

Це захищає акумулятор, який при зберіганні в зарядному пристрої завжди залишається повністю зарядженим.

- Несправна розетка, кабель або зарядний пристрій.

Перевірте напругу в мережі та, якщо потрібно, віднесіть зарядний пристрій до авторизованого центру обслуговування клієнтів електроінструментів Crown, щоб перевірити його. Заходи щодо усунення:

Практичні рекомендації

■ Ослі безперервних або декількох повторюваних циклів зарядки зарядний пристрій може перегрітися.

Однак це підвищення температури не вказує на технічну несправність пристрою.

■ Початкове скорочення часу роботи після зарядки вказує на витрачену батарею, яку необхідно замінити.

Технічне обслуговування та чистка

Завжди тримайте пристрій і вентиляційні отвори в чистоті.

Якщо прилад вийде з ладу, незважаючи на ретельне виготовлення і тестування, здавайте його в ремонт тільки в сервісний центр з обслуговування електроінструментів Crown.

Утилізація

Зарядні пристрої, аксесуари та упаковка повинні бути відсортовані для безпечної для навколишнього середовища переробки.

Післяпродажне обслуговування

Zhejiang Gosail Trading Co.,Ltd.

No. 636, Jiufeng street Jinhua city, Zhejiang, China

www.crown-tools.com

Місце походження: Jinhua Zhejiang

Гаряча лінія сервісу: 400-883-2658 (Китай)