

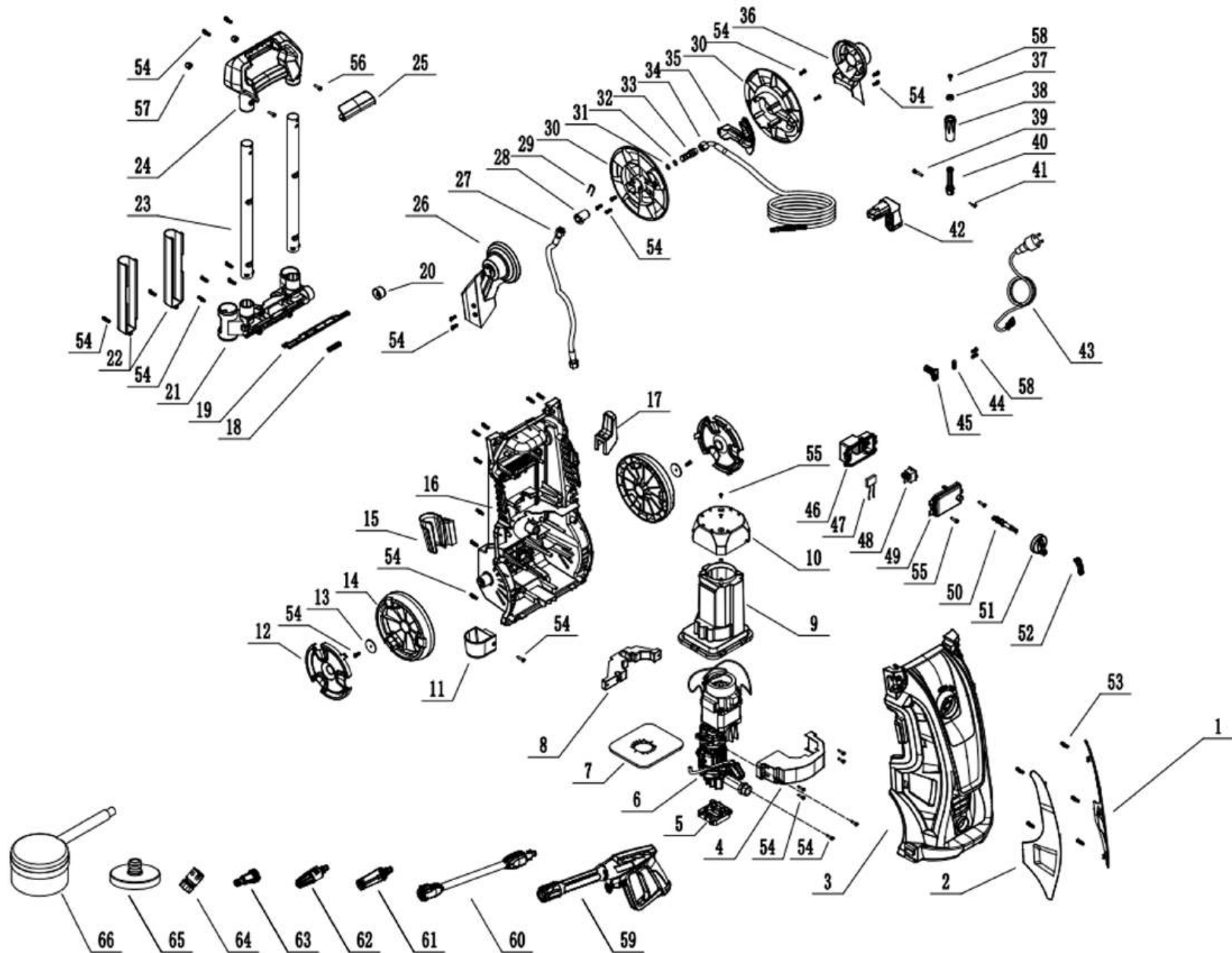


High Pressure Cleaner

042051 230V

HDRP21-165 DR-1

DATE:20220216



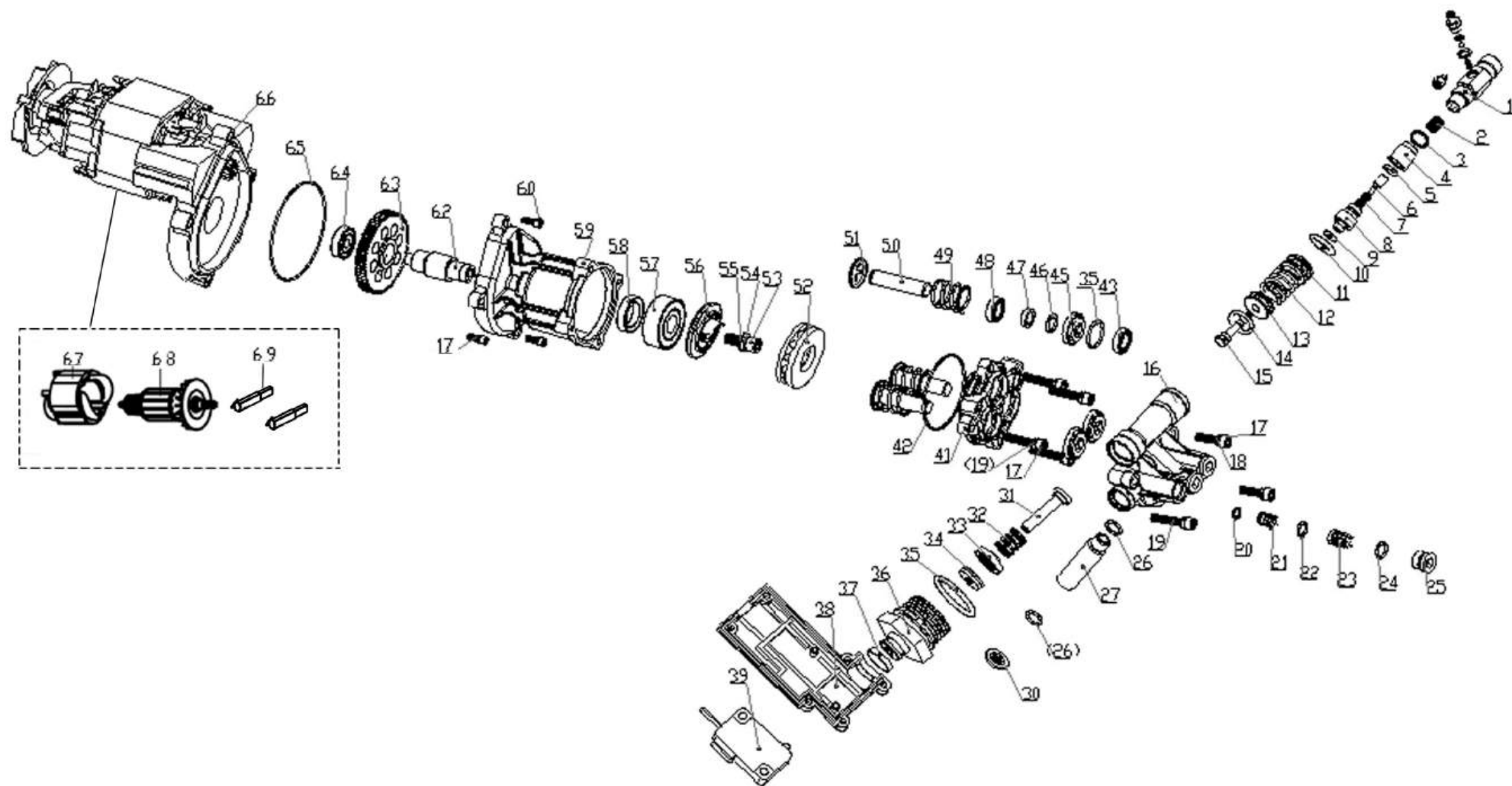


High Pressure Cleaner

042051 230V

HDRP21-165 DR-2

DATE:20220216



No.	Description	Qty
1	Right Decoration Board	1
2	Left Decoration Board	1
3	Front Cover	1
4	Upper Fixing Of Motor	1
5	Pump Head Fixed Plate	1
6	Motor & Pump Set	1
7	Sponge	1
8	Bottom Fixing Of Motor	1
9	Motor Cover	1
10	Water Proof Cap	1
11	Bottom Gun Holder	1
12	Wheel Cover	2
13	Wheel Gasket	2
14	Wheel Hub	2
15	Upper Gun Holder	1
16	Back Cover	1
17	Cable Hook	1
18	Telescopic Handle Spring	1
19	Telescopic handle skateboard	1
20	Telescopic handle button	1
21	Telescopic handle bracket	1
22	Aluminum tube cover	2
23	Aluminum Shaft	2
24	Handle	1
25	Handle cover	1
26	Reel Left Bracket	1
27	Short Hose Assy	1
28	Reel tee	1
29	U Pin	1
30	Hose Reel	2
31	O-Ring	1
32	O-Ring	1
33	Wound axles	1
34	Pressure Hose	1
35	Hose Retaining Plate	1
36	Reel Right Bracket	1
37	Handle Pressure Ring	1
38	Reel Handle	1
39	Female Locks	1
40	Reel Handle Shaft	1
41	Male Locks	1
42	Swing Hand Stand	1
43	Power Cable	1
44	Fixing Board Of Cable	1
45	Plastic Cable Jacket	1
46	Switch Box	1
47	Anti-Interference Capacitors	1
48	Switch	1
49	Switch Box Cover	1

50	Knob Axis	1
51	Knob	1
52	Knob Decorative Strip	1
53	Tapping Screw\ST4x12	6
54	Tapping Screw\ST4.8x20	38
55	Tapping Screw\ST4x16	4
56	Phillips groove large flat head screw\M5x40	2
57	Nut\M5	2
58	Screw	3
59	Gun Handle Assy	1
60	Gun barrel Assy	1
61	Sprinkler Assy	1
62	Rotary sprinkler Assy	1
63	Transparent Nipples	1
64	Quick Change Connectors	1
65	Strainer	1
66	Circular Brush	1
1	Water Outlet Connecotr	1
2	Spring	1
3	O-Ring\φ22x2.4	1
4	Blocking	1
5	O-Ring\φ5x1.8	1
6	Valve Core	1
7	Valve Spring	1
8	Jacket	1
9	O-Ring\φ4.5x1.8	1
10	O-Ring\φ16x2.4	1
11	Piston	1
12	Piston Spring	1
13	Valve Seat	1
14	O-Ring\φ15x2.4	1
15	Valve Rod	1
16	Pump Head	1
17	Hexagon Socket Screw\M6x25	7
18	Spring Lock Washer\φ6	7
19	Hexagon Socket Screw\M6x35	1
20	O-Ring\6.5x1.5	3
21	Inlet Valve Ass.	3
22	O-Ring\φ8.5x1.8	3
23	Outlet Valve Ass.	3
24	O-Ring\φ13x1.9	3
25	Valve Cap	3
26	O-Ring\φ18x2.4	2
27	Water Inlet Connecting Rod	1
30	Water Inlet Filter	1
31	Switch Rod	1
32	Rod Spring	1
33	Connecting Nut Gasket	1
34	Y-Ring\φ4x11x2.5	1
35	O-Ring\22x1.9	4

36	Connecting Nut	1
37	Water Proof Cap Of Pressure Switch	1
38	Switching Around Shell	1
39	Micro Switch	1
41	Pump Body	1
42	O-Ring\φ58x2.65	1
43	Y-Ring\φ12x18x4	3
45	Midder Sets	3
46	O-Ring\φ16x1.9	3
47	In The Interval Sets	3
48	Plunger Oil Seall\φ12x20x4	3
49	Plunger Spring	3
50	Plunger	3
51	Plunger Clip	3
52	Thrust Ball Bearing	1
53	Hexagon Socket Screw\M8x20	1
54	Spring Lock Washer\φ8	1
55	Washer\φ8	1
56	Bearing Holder	1
57	Ball Bearing\6303	1
58	Seal\20X30X9Mm	1
59	Connecting Seat	1
60	Hexagon Socket Screw\M6x20	1
62	Gear Shaft	3
63	Big Gear	1
64	Ball Bearing\629	1
65	O-Ring\φ65x1.8	1
66	Motor	1
67	Stator	1
68	Armature	1
69	Carbon Brush	1