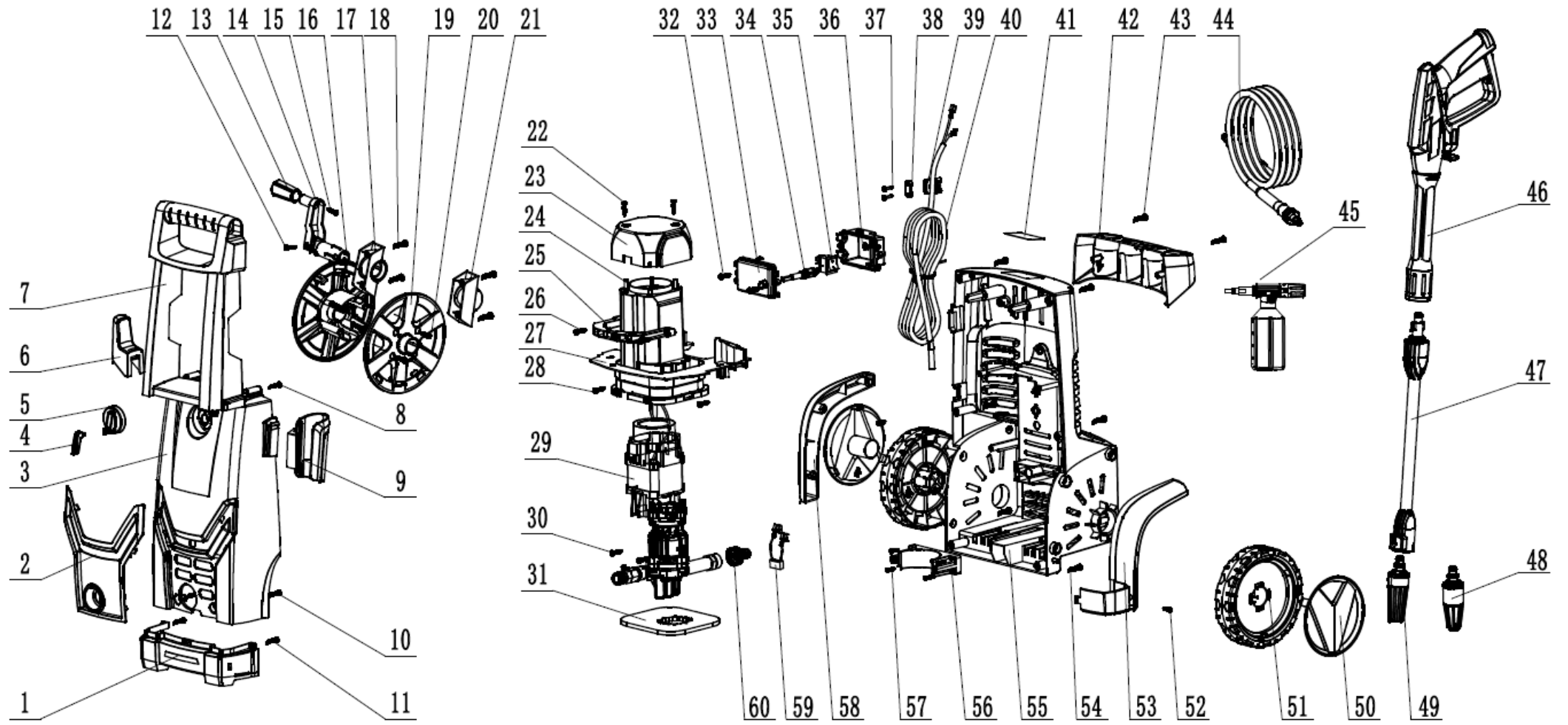


No	Part Name	QTY
1-1F	WATER OUTLET JOINT	1
2	SPRING	1
3	O-RING 22X2.4	1
4-9	PRESSURE LIMITED VALVE	1
10-15	PISTON ASS.	1
16	PUMP HEAD	1
17	SCREW M6X25	2
18	SPRING WASHERΦ6	7
19	SCREW M6X35	1
20	O-RING 6.5X1.5	3
21	WATER INLET VALVE	3
22	GASKET	3
23	O-RING 8.5X1.8	3
24	WATER OUTLET VALVE	3
25	O-RING 14X1.9	3
26	VALVE CAP	3
27	O-RING 18X2.4	1
28	WATER INLET JOINT	1+1
29	FILTER	1
30	PUSH ROD	1
31	SPRING	1
32	GASKET FOR CONNECTING NUT	1
33	Y-RING 4X11X2.5	1
34	O-RING 22X1.9	1
35	CONNECTING NUT	1
36	WATERPROOF CAP	1
37	MICROSWITCH SHELL	1+1

No	Part Name	QTY
38	MICROSWITCH	1
39	SCREW M6X25	4
40	PUMP BODY	1
41	O-RING 58X2.65	1
42	Y-RING 12X18X4	3
43	O-RING 22X1.9	3
44	MIDDLE RING	3
45	O-RING 16X1.9	3
46	IN THE INTERVAL SETS	3
47	SKELETON SEAL 12X20X4MM	3
48	PLUNGER SPRING	3
49	PLUNGER	3
50	PLUNGER CLIP	3
51	THRUST BALL BEARINGS 51107B	1
52	SCREW M8X20	1
53	SPRING WASHERΦ8	1
54	FLAT WASHERΦ8	1
55	BEARING SEAT	1
56	BEARING 6303	1
57	OIL SEAL 20X30X9MM	1
58	CONNECTING SEAT	1
59	GEARING SHAFT	1
60	BIG GEAR	1
61	BEARING 629	1
62	O-RING 65X1.8MM	1
63	CARBON BRUSH MOTOR	1



No	Part Name	QTY
1	BOTTOM COVER	1
2	DECORATIVE BOARD	1
3	FRONT COVER	1
4	DECORATIVE TRIM	1
5	SWTICH CAP	1
6	CABLE HOOK	1
7	LONG HANDLE	1
8	SCREW ST4.8X20	2
9	GUN HOOK	1
10	SCREW ST4.0X14	2
11	SCREW ST4.0X8	2
12	SCREW ST4.8X25	1
13	ROD JACKET	1
14	CONNECTING ROD	1
15	SCREW ST4.8X16	1
16	ROD	1
17	REEL BRACKET RIGHT	1
18	SCREW ST4.8X16	4
19	HOSE REEL	2
20	SCREW ST4.8X16	4
21	REEL BRACKET LEFT	1
22	SCREW ST4.0X16	2
23	MOTOR CAP	1
24	MOTOR COVER	1
25	MOTOR FIXED PLATE	1
26	SCREW ST4.0X16	2
27	WATER BAFFLE	1
28	SCREW ST4.8X16	2
29	MOTOR PUMP ASS.	1

No	Part Name	QTY
31	SPONGE	1
32	SCREW ST4.0X16	2
33	JUNCTION BOX COVER	1
34	SWITCH SHAFT	1
35	MAIN SWITCH	1
36	JUNCTION BOX	1
37	SCREW ST3.5X16F	2
38	PLATE	1
39	JACKET	1
40	POWER CABLE	1
41	WARNING LABEL	1
42	ACCESSORIES HOLDER	1
43	SCREW ST4.8X16	2
44	HIGH PRESSURE HOSE	1
45	SOAP BOTTLE	1
46	AG1175 GUN HANDLE	1
47	AG1175 GUN LANCE	1
48	TURBO NOZZLE	1
49	FAN NOZZLE	1
50	WHEEL COVER	2
51	WHEEL	2
52	SCREW ST3.5X16F	1
53	WHEEL DECORATIVE BOARD LEFT	1
54	SCREW ST4.8X16	6
55	BOTTOM COVER	1
56	PUMP FIXED PLATE	1
57	SCREW ST4.8X16	4
58	WHEEL DECORATIVE BOARD RIGHT	1
59	CAPACITOR	1

30	SCREW ST4.8X16	2

60	TRANSPARANT MALE CONNECTOR	1
A+	FIX BRUSH	1