

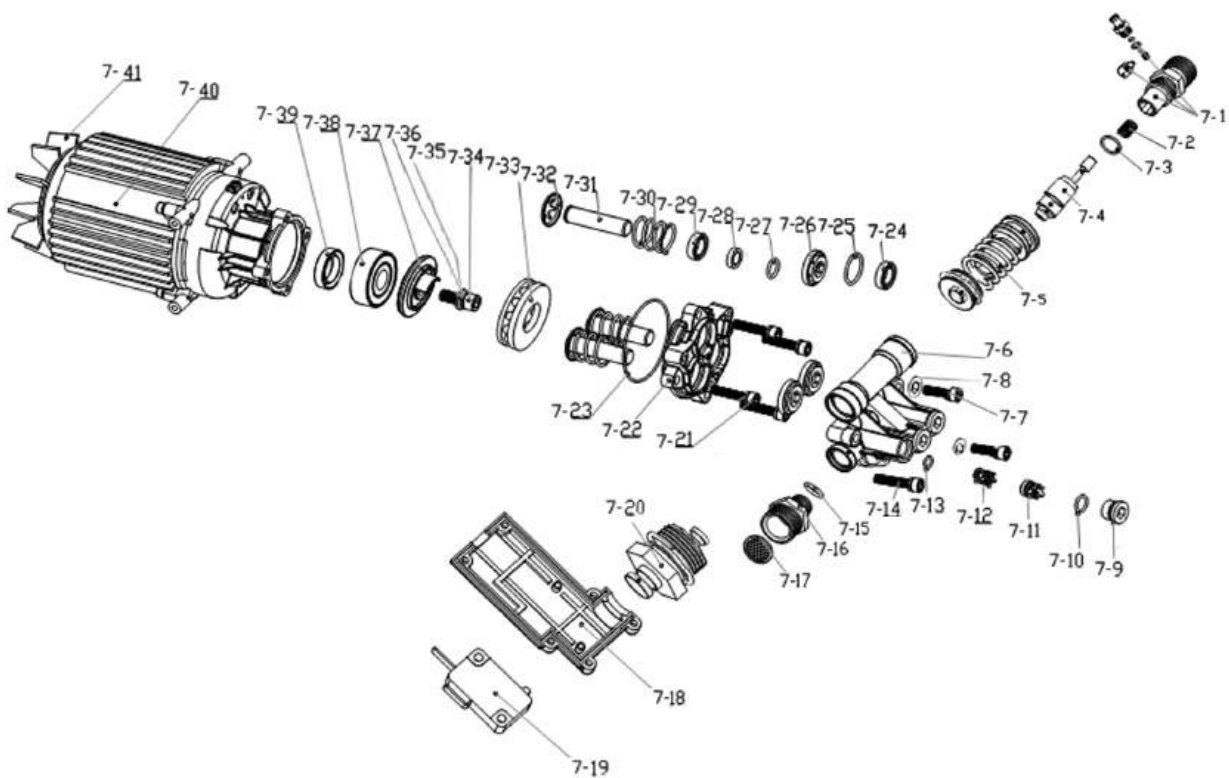
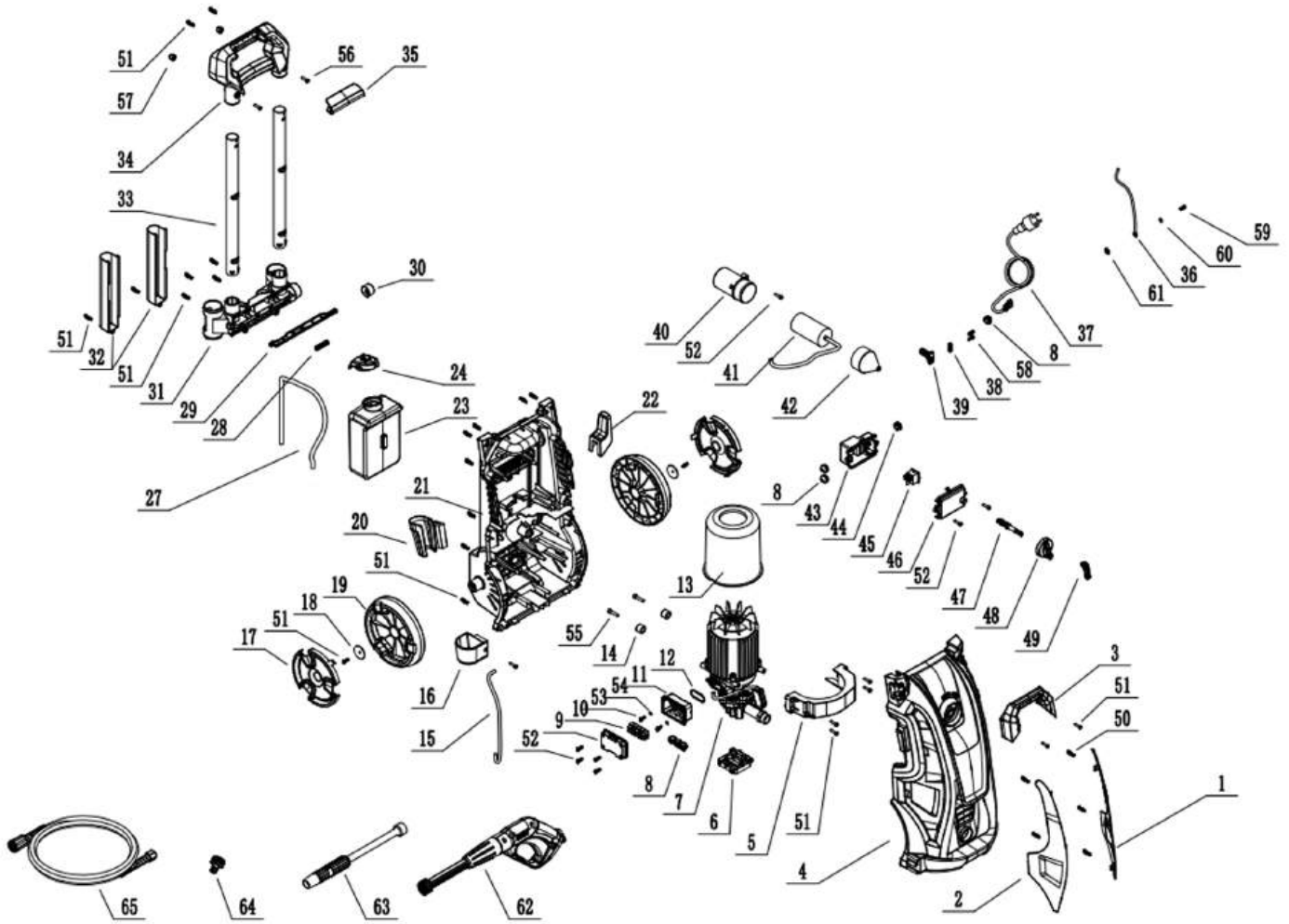


High Pressure Cleaner

042086 220-230V

HDP21-165 DRW

VERSION:B1 DATE:20250513



No.	Description	Qty
1	Right Decorative Panel	1
2	Left Decorative Panel	1
3	Short Handle	1
4	Front Housing	1
5	Induction Motor Pressure Plate	1
6	Pump Head Fix Plate	1
7	Motor & Pump Set	1
8	Rubber Sheath For Power Cord	5
9	Motor Wire Box Cover	1
10	Terminal	1
11	Motor Wire Box	1
12	Motor Sealing Gasket	1
13	Motor Cover	1
14	Motor Rubber Foot Pad	2
15	Lead Wire	1
16	Bottom Wand Holder	1
17	Wheel Cover	2
18	Wheel Pad	2
19	Wheel Hub	2
20	Upper Gun Holder	1
21	Rear Housing	1
22	Hose Hook	1
23	Detergent Tank	1
24	Detergent Tank Cap	1
27	Suction Tube	1
28	Telescopic Handle Spring	1
29	Telescopic Handle Skateboard	1
30	Telescopic Handle Button	1
31	Telescopic Handle Bracket	1
32	Aluminum Tube Cover Plate	2
33	Aluminum Tube	2
34	Telescopic Handle	1
35	Telescopic Handle Cover	1
36	Ground Wire	1
37	Power Cord	1
38	Outlet Pressure Plate	1
39	Wire Outgoing Card	1
40	Capacitor Box	1
41	Capacitor	1
42	Capacitor Sheath	1
43	Switch Box	1
44	Switch Box Outlet Plug	1
45	Switch	1
46	Switch Box Cover	1
47	Pull Rod	1
48	Switch Knob	1
49	Knob Decorative Strip	1
50	Cross Recessed Pan Head Tapping Screw St4x12	6
51	Cross Recessed Pan Head Tapping Screw St4.8x20	38

52	Cross Recessed Pan Head Tapping Screw St4x16	7
53	Cross Groove Pan Head Screw M4x10	2
54	Flat Washer\φ4	2
55	Hexagon Socket Head Cap Screw \M6x20	2
56	Cross Groove Flat Head Screw M5x40	2
57	Cap Nut M5	2
58	Cross Recessed Pan Head Tapping Screw St3.5x16	2
59	Cross Groove Pan Head Screw M4x6	1
60	Spring Washer\φ4	1
61	Tooth Shaped Gasket \M4	1
62	Spray Gun	1
63	Spray Wand	1
64	Male Connector	1
65	High Pressure Outlet Hose	1
7-1	Water Outlet Connector	1
7-2	Water Outlet Connector Spring	1
7-3	O-Ring\φ22x2.4	1
7-4	Pressure Retaining Valve	1
7-5	Piston Assy	1
7-6	Pump Head	1
7-7	Screw Internal Hexagonal \M6x25	6
7-8	Spring Washer\Φ6	2
7-9	Water Valve Cap	1
7-10	O-Ring\φ14x1.9	1
7-11	Inlet One-Way Valve	1
7-12	Outlet One-Way Valve	1
7-13	O Ring\φ8.5x1.8	1
7-14	Screw Internal Hexagonal M6x35	1
7-15	O-Ring\φ18x2.4	1
7-16	Water Inlet Connector	1
7-17	Filter	1
7-18	Micro-Switch Housing (Left&Right)	1
7-19	Micro-Switch	1
7-20	Connecting Nut Retaining Ring	1
7-22	Pump Body	1
7-23	O-Ring\φ58x2.65	1
7-24	Y-Ring\φ12x18x4	3
7-25	O-Ring\φ22x1.9	3
7-26	Middle Sleeve	3
7-27	O-Ring\φ16x1.9	3
7-28	Middle Spacer Sleeve	3
7-29	Skeleton Oil Seal\φ12x20x4	3
7-30	Plunger Spring	3
7-31	Plunger	3
7-32	Plunger Clamp Spring	3
7-33	Thrust Ball Bearing \51107B	1
7-34	Screw Internal Hexagonal M8x20	1
7-35	Spring Washer\φ8	1
7-36	Flat Washer \φ8	1
7-37	Bearing Seat	1

7-38	Bearing	1
7-39	Oil Seal \18x28x5	1
7-40	Motor	1
7-41	Motor Fan	1