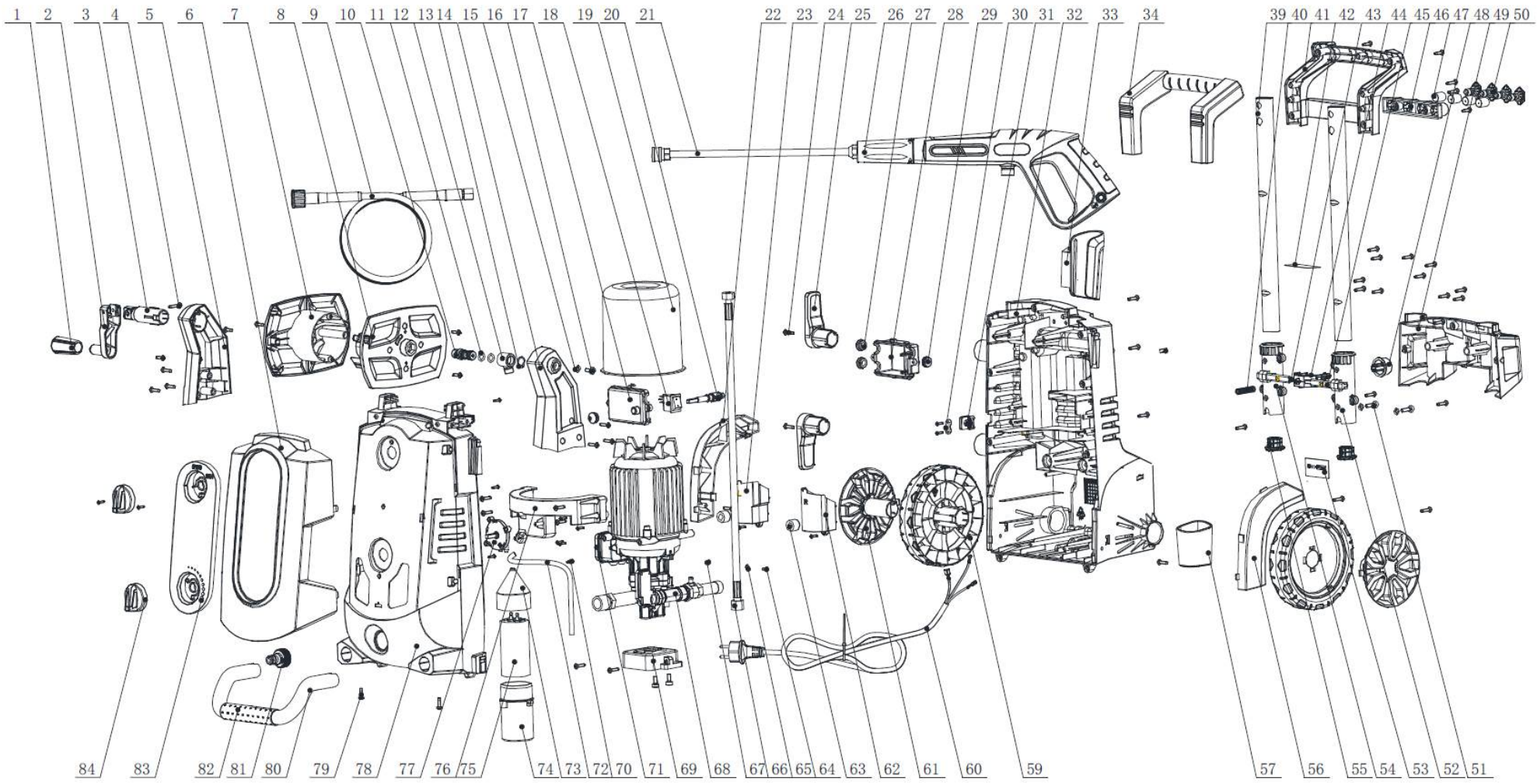


No	Part Name	QTY
1	WATER OUTLET JOINT	1
2	SPRING	1
3	O-RING 22×2.4	1
4-9	PRESSURE LIMITING VALVE	1
10-15	PISTON ASS.	1
17	PUMP HEAD	1
18	SCREW INTERNAL HEXAGONAL	1
19	SPRING WASHER	1
20	SCREW INTERNAL HEXAGONAL	1
21	O-RING 6.5×1.5	3
22-25	INLET VALVE ASS.	3
23,26,28-29	OUTLET VALVE ASS.	3
27	O-RING 8.5×1.8	3
30	O-RING 13×1.9	3
31	WATER VALVE CAP	3
32	O-RING 18×2.4	1
33	WATER INLET JOINT	1
34	STRAINER	1
35-43	AUTO STOP ASS.	1
44	SCREW INTERNAL HEXAGONAL	4

No	Part Name	QTY
45	PUMP	1
46	O-RING 58×2.65	1
47	Y-RING 12×18×4	3
48	O-RING 22×1.9	3
49	MIDDLE SETS	3
50	O-RING 16×1.9	3
51	IN THE INTERVAL SETS	3
52	SKELETON SEAL 12×20×4	3
53	PLUNGER SPRING	3
54	PLUNGER	3
55	PLUNGER CLIP	3
56	THRUST BALL BEARINGS	1
57	SCREW INTERNAL HEXAGONAL	1
58	SPRING WASHER	1
59	GASKET	1
60	BEARING SEAT	1
61	BEARINGS	1
62	SEAL	1
63	MOTOR	1
64	FAN	1



No	Part Name	QTY
1	HANDLE SLEEVE	1
2	HANDLE CONNECTING ROD	1
3	HANDLE	1
4	SCREW	1
5	HOSE REEL LEFT BRACKET	1
6	DECORATION BOARD	1
7	LEFT HOSE REEL	1
8	RIGHT HOSE REEL	1
9	8M PRESSURE HOSE	1
10	HOSE REEL ANXLE	1
11	O- RIING	1
12	COIL INNER CONNECTOR	1
13	RETAINING RING FOR SHAFT	1
14	HOSE REEL RIGHT BRACKET	1
15	GASKET	1
16	SCREW	3
17	SWITCH COVER	1
18	SWITCH	1
19	MOTOR COVER	1
20	PULL ROD	1

No	Part Name	QTY
45	LEFT ZIPPER BLOCK	1
46	NOZZLES HOLDER	1
47	NOZZLES FIXING SLEEVE	4
48	TELESCOPING BUTTON	1
49	ACCESSORIES HOLDER	1
50	QUICK NOZZLES	4
51	SCREW	2
52	LEFT PULL RAIL	1
53	SPECIFICATION LABEL	1
54	RIGHT PULL RAIL	1
55	ROD BLOCK	1
56	RIGHT WHEEL EAVES	1
57	GUN HOLDER	1
59	WHEEL	1
60	CABLE	1
61	WHEEL CAP	1
62	RIGHT WATER BAFFLE	1
63	MOTOR RUBBER FEET	1
64	SCREW	1
65	GASKET	1

21	GUN LANCE	1
22	LEFT WHEEL EAVES	1
23	LEFT WATER BAFFLE	1
24	SCREW	38
25	HOSE HOOK	1
26	GUN PISTOL	1
27	CABLE SEAL RING	1
28	SWITCH BOX	1
29	SWITCH BOX OUTLET BLOCK	1
30	OUTLET PLATE	1
31	OUTLET JACKET	1
32	BOTTOM HOUSING	1
33	GUN HOLDER	1
34	HANDLE COVER	1
39	ROD	1
40	TELESCOPE HANDLE SPRING	1
41	HANDLE	1
42	WARNING LABEL	1
43	RIGHT ZIPPER BLOCK	1
44	BLOCK GUIDE	1
A+	TURBO NOZZLE	1

66	INTERNAL SHORT HOSE	1
67	TOOTH TYPE GASKET	1
68	PUMP AND MOTOR	1
69	PUMP FIXING SEAT110	1
70	SCREW	20
71	JUNCTION BOX 110	1
72	INTERNAL SOAP TUBE	1
73	CAPACITOR COVER	1
74	CAPACITOR BOX	1
75	CAPACITOR	1
76	MOTOR PLATEN	1
77	SWITCH FOR DETERGENT	1
78	FRONT HOUSING	1
79	SCREW	11
80	BOTTOM BRACKET	1
81	INLET MAIL CONNECTOR	1
82	BRACKET JACKET	1
83	KNOB DECORATION BOARD	1
84	KNOB SERIES	1
84+	KNOB CAP	1
A+	FOAM PRODUCER 03	1