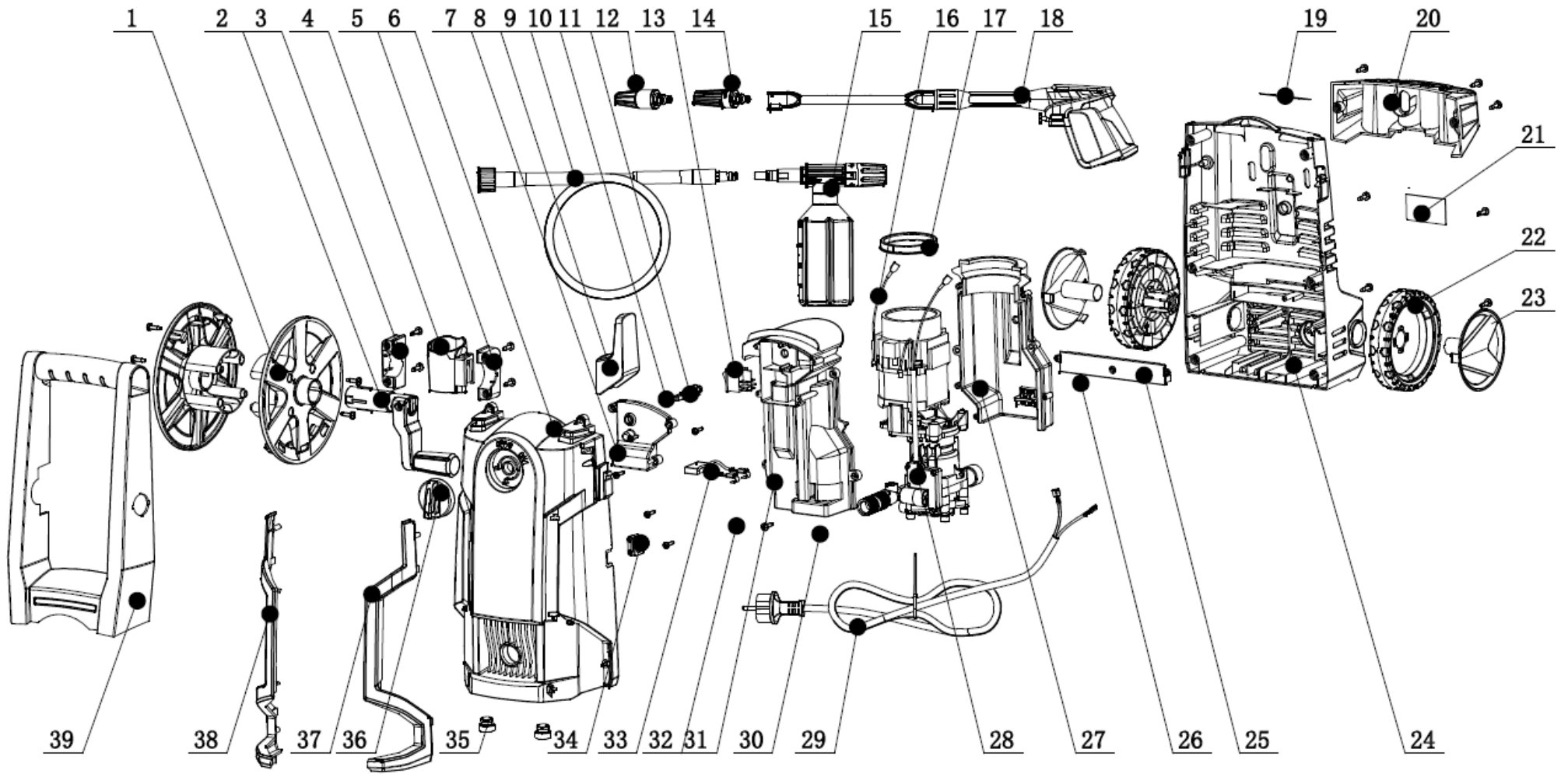


REF	DESCRIPTION(EN)	QTY
1	MOTOR	1
2	O-RING	1
3	BEARING	1
4	GEAR	1
5	TAPPING SCREW	4
6	CONNECTING SEAT	1
7	GEAR SHAFT	1
8	OIL SEAL	1
9	BEARING	1
10	BEARING SEAT	1
11	BALL BEARING	1
12	SCREW +GASKET	1+1+1
13	PISTON CLIP	3
14	PISTON SPRING	3
15	PISTON	3
16	PIN	2
17	O-RING	1
18	O-RING	1
19	WATER INLET + FILTER	1+1
20	PUMP	1
21	OIL SEAL	3
22	MIDDLE RING	3
23	Y-RING	3
24	INLET VALVE 1080	3+6
25	O-RING	1

REF	DESCRIPTION(EN)	QTY
26	SCREW	1
27	PUMP HEAD	1
28	OUTLET VALVE	3+3
29	O-RING	3
30	VAVLE CAP	3
31	SCREW	4
32	SCREW GASKET A	4
34	WATER OUTLET	1+1
35	ONE WAY VALVE (O-RING 3.5X1.9)	1+1+1+1
36	O-RING 5X2	1
37	VALVE SLEEVE	1
38	O-RING 9X2	1
39	VALVE PIN	1
40	SPACING COLLAR	1
41	OVERFLOW VALVE SPRING	1
42	COLLAR 1	1
43	O-RING 3.5X1.9	1
44	O-RING 14X2.5	1
45	OVERFLOW VALVE NUT	1
46	PUNCHER	1
47	TAPPING SCREW ST3X10	5
48	MICROSWITCH BOX	1
49	MICROSWITCH ASS.	1
50	MICROSWITCH BOX	1



REF	DESCRIPTION(EN)	QTY
1	HOSE REEL	2
2	CRANK ASSEMBLY	1
3	LEFT PRESSING PLATE	1
4	GUN HOLDER	1
5	RIGHT PRESSING PLATE	1
6	FRONT COVER	1
7	COVER OF JUNCTION BOX	1
8	CABLE HOOK	1
9	WATER OUTLET HOSE	1
10	O-RING 7.5X1.5	1
11	ON/OFF SWITCH SHAFT	1
12	TURBO NOZZLE	1
13	ON/OFF SWITCH	1
14	FAN NOZZLE	1
15	SOAP BOTTLE	1
16	WIRE	1
17	MOTOR COVER BRACKET	1
18	SPRAY GUN	1
19	WARNING LABEL	1
20	ACCESSORIES HOLDER	1

REF	DESCRIPTION(EN)	QTY
21	RATING LABEL	1
22	WHEEL	2
23	WHEEL COVER	2
24	BACK COVER	1
25	RETAINING PLATE	1
26	SCREW 3.5X13	9
27	BOTTOM MOTOR COVER	1
28	MOTOR & PUMP SET	1
29	CABLE	1
30	SCREW 4.8X16	19
31	UPPER MOTOR COVER	1
32	SCREW 4X16	10
33	CAPACITOR	1
34	WIRE JACKET	1
35	SHOCK ABSORBER	2
36	ON/OFF SWITCH KNOB	1
37	RIGHT DECORATIVE STRIP	1
38	LEFT DECORATIVE STRIP	1
39	HANDLE	1